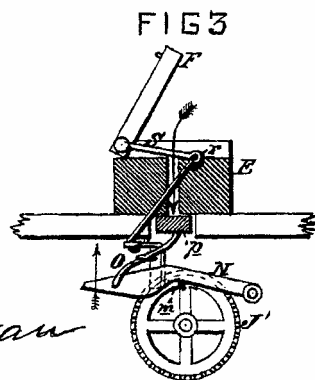
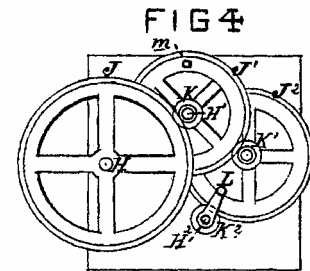
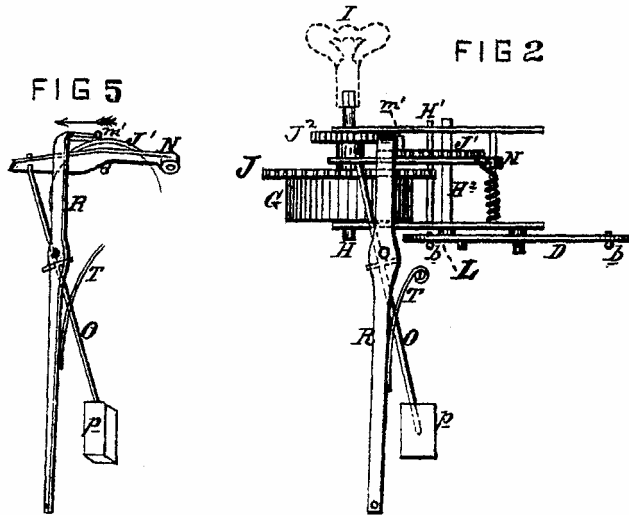
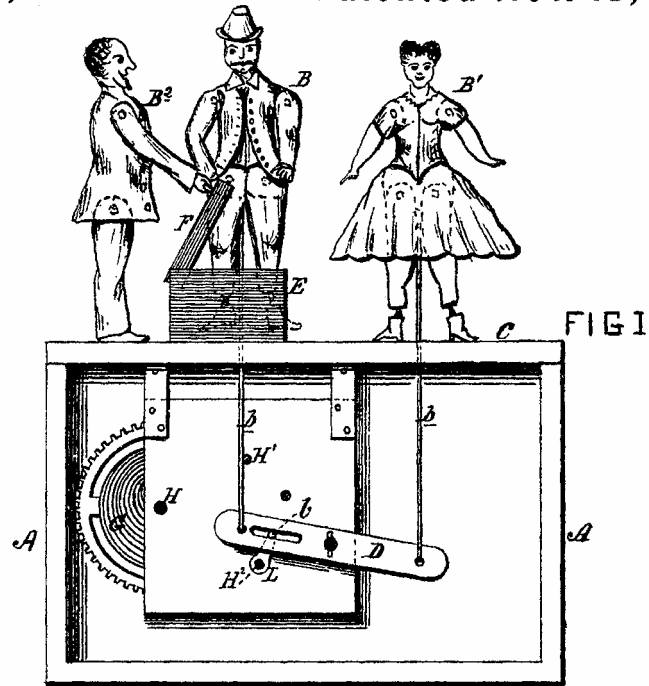


J. BLANC.
Toy Money-Box.

No. 196,966.

Patented Nov. 13, 1877.



WITNESSES.
Alex H. Morgan
W. H. Fiegler

INVENTOR.
Joseph Blanc
By Isaac R. Coffey
his attorney.

UNITED STATES PATENT OFFICE.

JOSEPH BLANC, OF PHILADELPHIA, PA., ASSIGNOR OF ONE-HALF HIS RIGHT
TO J. Q. A. ZIEGLER, OF SAME PLACE.

IMPROVEMENT IN TOY MONEY-BOXES.

Specification forming part of Letters Patent No. 196,966, dated November 13, 1877; application filed
September 11, 1877.

To all whom it may concern:

Be it known that I, JOSEPH BLANC, of the city and county of Philadelphia, and State of Pennsylvania, have invented a new and useful Improvement in Mechanical Toy and Savings Bank, which improvement is fully set forth in the following specification and accompanying drawings.

My invention consists of a box or safe of suitable dimensions, the top or cover of which serves as a platform for two dancing figures and the figure of a man, who is supposed to have charge of the money deposited within the box. The box also incloses the mechanism, which is suspended from the under side of the lid, for operating the figures. The figures are operated by a clock mechanism, and are set in motion by a penny or other coin inserted through a slot leading into the box, which releases a pawl, and allows the coiled spring to expand sufficiently to communicate motion to the dancing figures. At the same time a lever is operated, which draws a hinged lid down over the slot, causing the figure of the man or banker to bend over, as though in the act of closing the same.

Figure 1 is a front elevation of my mechanical toy and savings bank, with one side of the box removed to expose the interior of the same. Fig. 2 is a plan view of the mechanism for operating the figures. Fig. 3 is a side view of the device, partly in section, for starting and arresting the movement of the dancing figures, and for operating the lid and figure connected therewith. Fig. 4 is a side view of the gears, wheels, showing them properly geared for transmitting motion. Fig. 5 is a perspective view of the levers and pin-wheel for controlling the movements of the figures.

A, Fig. 1, is the box which incloses the clock-work, and serves as a money-box. B B' are two dancing figures, placed on the cover C of the box, and supported upon vertical wires or rods *b b*, which are attached to a vibrating lever, D. E, Figs. 1 and 3, is a smaller box on the cover C, through which coins are dropped to set the figures in motion. F is a hinged lid covering said box, to which are attached the pivoted arms of a stationary figure, B². The body of this figure is also pivoted to the legs,

so as to bend over when the lid is closed by the movement of the clock-work. G, Figs. 1 and 2, is a coiled spring placed on the axle H.

I is a key for winding said spring, and J a wheel which gears with a pinion, K, on the axle H'. J', Figs. 2 and 4, is a wheel on the axle H', which communicates motion, through the pinion K', spur-wheel J², and pinion K², to the axle H². One end of the axle H² is furnished with a crank, L, Figs. 1, 2, and 4, the pin of which works in a slot in the lever D, and causes it to vibrate rapidly, and produce a vertical reciprocating movement of the wires *b b*.

Fixed in the opposite sides of the wheel J', Figs. 2, 3, 4, and 5, are studs or pins *m m'*, one of which engages with a pawl, N, and arrests the motion of the clock-work and dancing figures.

O is a lever pivoted to the under side of the cover C, with one end attached to the pawl N, and the opposite end provided with a flat plate or block, *p*, which is inserted in an opening in the cover, and closes the lower part of the slot in the box E, as shown in Fig. 3.

R is a lever pivoted to shift horizontally, one end of which is bent downward, and is brought in contact with the pin *m'* on the opposite side of the wheel J'. The office of this lever is to open and close the lid on the box E, to which the figure B² is attached.

An arm, S, projecting from the pintle of the hinged lid, is connected to the end of the lever by means of a rod, *r*, so that the lid may be drawn down by the action of a spring, T, which is continually pressing against the lever.

A penny or other coin inserted edgewise within the box E rests upon the plate, *p*, and depresses the lever O, causing the opposite end of the lever to raise and release the pawl N from the pin *m*, which will permit the wheel J to revolve and communicate motion to the dancing figures through the proper train of wheels. At the same time the bent end of the lever R is released from the pin *m'*, permitting the spring T to expand and shift the front end of the lever sufficiently to close the lid F. The dancing figures B and B' continue in motion, and the figure B² remains in a stooping position, as though holding the lid down, until the pin *m* on the wheel has made a complete revo-

lution, and is again arrested by the pawl N. The pin *m'* at the same instant shifts and retains the lever R in the opposite direction and opens the lid F.

The box A, into which the coins drop, may be provided with a partition to form a separate compartment for the money.

What I claim as my invention is—

1. The combination, in a mechanical toy and savings bank, of the box A, dancing figures B and B', wires or rods *b b*, vibrating lever D, crank L, axle H², wheels J J' and J², pinions K, K', and K², coiled spring G, lever O, pawl N, pin or stud *m*, box E, hinged lid F, and figure B², connected therewith, lever R, pin or

stud *m'*, rod *r*, arm S, and spring T, all arranged to operate substantially as and for the purpose set forth.

2. The combination of the figures B and B', rods or wires *b b*, vibrating lever D, crank L, wheel J', pin or stud *m*, pawl N, lever R, and plate *p*, substantially as shown and described.

3. The combination of the box E, hinged lid F, figure B², lever R, wheel J', pin or stud *m'*, rod *r*, arm S, and spring T, substantially as shown and described.

JOSEPH BLANC.

Witnesses:

ALEXANDER H. MORGAN,
J. Q. A. ZIEGLER.