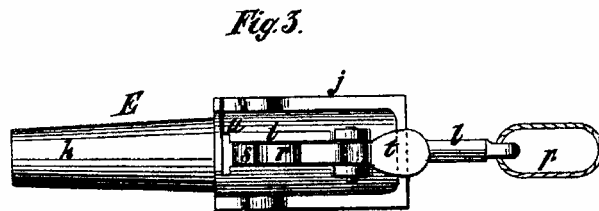
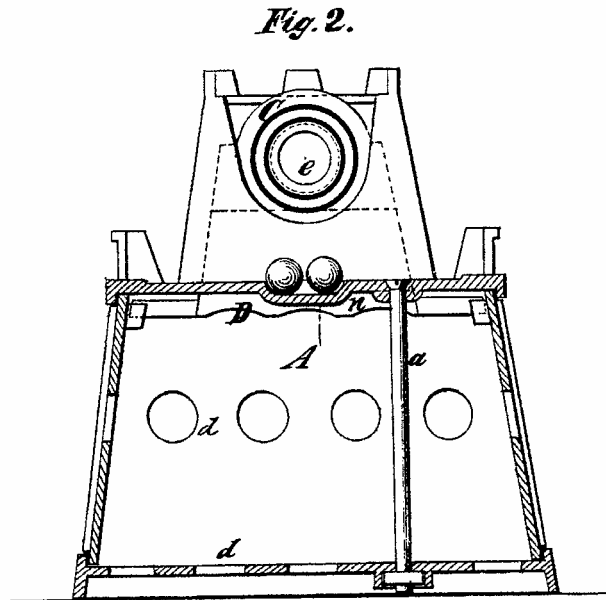
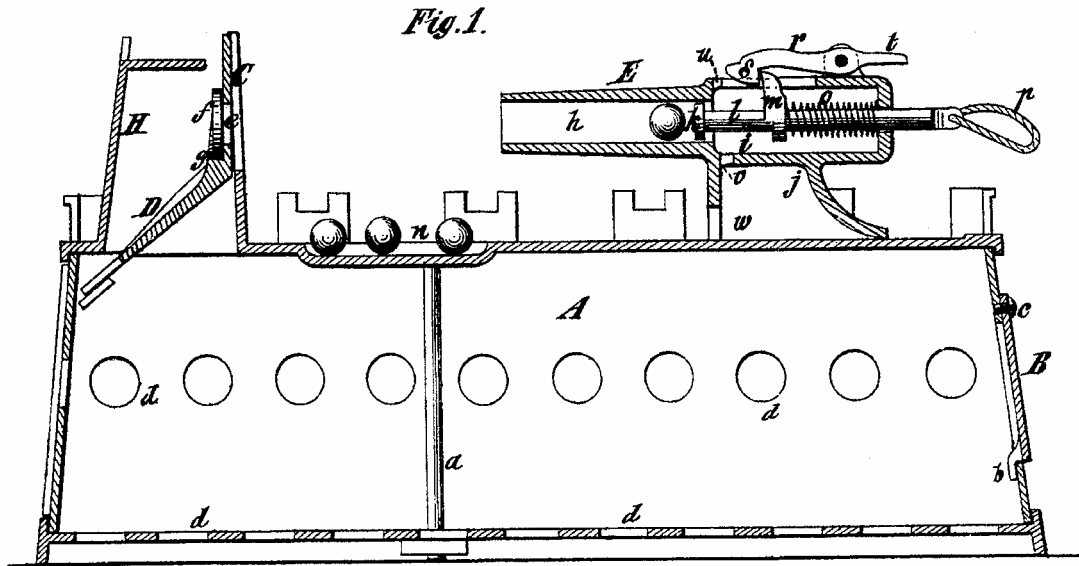


S. CLARK.  
Toy Money-Box.

No. 197,250.

Patented Nov. 20, 1877.



*Witnesses:*  
Thomas E. Birch.  
Shandley Hall

*Inventor.*  
Samuel Clark  
By his Atty.  
Edwin H. Brown.

# UNITED STATES PATENT OFFICE.

SAMUEL CLARK, OF BROOKLYN, NEW YORK.

## IMPROVEMENT IN TOY MONEY-BOXES.

Specification forming part of Letters Patent No. 1,972,950, dated November 20, 1877; application filed October 3, 1877.

*To all whom it may concern:*

Be it known that I, SAMUEL CLARK, of the city of Brooklyn, in Kings county, and State of New York, have invented certain new and useful Improvements in Toy Money-Boxes, of which the following is a specification:

I combine with a target, having an open center, behind which a coin may be placed to form a bull's-eye, a cannon, from which a projectile may be fired through the open center of the target, so as to strike the coin and deliver it into a bank or receptacle of suitable style. I provide for exploding a cap when the projectile is fired through the target, in order to enhance the interest of depositing money in the bank; and I perforate the bank, so that the projectile, after following the coin impelled by it into the bank, may pass out of the bank for further use.

In the accompanying drawings, Figure 1 is a longitudinal section of a toy money-bank embodying my invention. Fig. 2 is a transverse section thereof, taken in front of the target; and Fig. 3, a plan or top view of a cannon embodying certain features of my invention. Similar letters of reference designate corresponding parts in all the figures.

The bank itself may be of any appropriate design. I have shown it as forming a miniature fort, A, and as comprising top and bottom sections overlapping the edges of side and end sections and secured together by a bolt, *a*, which serves to fasten all the parts together. A removable section, B, representing a door, and fastened in place by a lug, *b*, at one end, and a screw, *c*, at the other, provides for emptying this bank without injuring it.

It will be observed that its bottom, sides, and ends are studded with perforations *d*, providing for the exit of a projectile which may enter with a coin, and in its top is a depression or cavity, *e*, adapted to hold the projectiles which are used.

C designates a target, having a circular opening, *f*, at the center, or, in other words, at that part where the bull's-eye is usually located. H designates a housing, located at the rear of this target, and far enough from it to admit of a coin, *f*, being inserted edgewise behind the target upon a rest, *g*, (see Fig. 1,) which will support it so that it will be visible

through the circular opening *e*, and form the bull's-eye of the target. D designates an inclined slideway, extending rearwardly from the target, and into such close proximity to the adjacent end of the bank A, that a coin knocked off the rest *g* by a projectile passing through the target may pass edgewise into the bank, but cannot easily escape therefrom in the same way it entered.

The device I have shown for firing projectiles through the target consists of a cannon, E, arranged opposite the circular opening *e* in the target C. It is hollow throughout its extent, and, to facilitate its casting in metal, may be made in sections, the barrel *h*, one side of the breech-piece *i*, and carriage or block *j* being formed in one piece, and the other side of the breech-piece and carriage or block being formed in another piece and secured to the former. The barrel *h* of this cannon is provided with a push-piece or ejector, *k*, shown as being secured to a rod, *l*, carrying a hammer, *m*, serving to explode a cap, and also forming a catch, whereby the firing of the cannon is controlled, and a shoulder, against which abuts a spring, *o*, actuating the said hammer *m*, and push-piece or ejector *k*, and fitting within and abutting against the rear end of the breech-piece *i*. A loop, *p*, or other handle, attached to the rod *l*, provides for conveniently pulling it back; and a lever, *r*, provided with a pawl-like nose, *s*, at the forward end and a finger-piece, *t*, at the rear end, provides for locking the rod *l* and its appendances in position after they have been drawn back and for releasing them, so that they may act energetically in expelling or firing the projectile and exploding a cap.

The means for holding the cap to be exploded may consist of a mortise, *u*, in the breech-piece *i* of the cannon, near the rear end of the barrel *h*, when the paper caps or pellets used commonly with toy pistols are employed; and I have shown a passage, *v*, opposite this mortise, communicating with a cavity, *w*, in the carriage or block *j*, and having an open front, for receiving the waste or remains of these caps or pellets when exploded.

The operation of this cannon is as follows: The rod *l* is drawn back till the hammer *m* passes the nose *s* of the lever *r*, whereupon

said nose falls over the hammer and holds it and the push-piece or ejector *k* in position. A small bullet is then inserted in the barrel *h*, and a cap or pellet is inserted in the mortise or holder *u*. The finger-piece *t* of the lever *r* is then pressed down to raise its nose *s*, whereupon the push-piece or ejector *k* and the hammer *m* are forced forward by the spring *o*, the cap is exploded, and the projectile or bullet is fired through the circular opening *e* of the target C against the coin forming the bull's-eye, and the latter is knocked off the rest *g* and falls down the slideway D into the bank A, the bullet following it and escaping through one of the perforations *d*, so that it may be obtained for further use. The exploding of the cap will render the act of depositing money in the bank a very interesting pastime, and hence will encourage the saving of money. My firing device may, of course, be used in other ways.

I do not claim, broadly, making a toy money-bank in the form of a fort, or even combining with such a bank a target and a device resembling a cannon for effecting the entrance of coins through an opening in a target into such a bank.

What I claim as my invention, and desire to secure by Letters Patent, is—

1. The combination, with a bank, of a target having a central opening, and a rest for supporting a coin behind its said opening, so as

to form the bull's-eye, and a device for firing a projectile through the said opening against the coin so as to knock it into the bank, substantially as specified.

2. The combination, with a target having a central opening, of a rest in the rear thereof for supporting a coin behind said opening to form the bull's-eye, substantially as specified.

3. The combination, with a target having a central opening and a rest in the rear thereof for supporting a coin behind said opening, of a slideway extending rearwardly close to the adjacent end of the bank, substantially as and for the purpose specified.

4. The combination of the cannon E, ejector or push-piece *p*, rod *l*, the hammer *m*, cap-receptacle *u*, catch *s*, and the spring *o*, fitting between the hammer *m* and the breech-piece of the cannon, substantially as and for the purpose specified.

5. The combination, with a target having a central opening and a device for firing an unattached projectile through the said opening against a coin behind it, of a bank provided with perforations, from which the projectile may escape after following the coin into the bank, substantially as specified.

Witnesses:

THOMAS E. BIRCH,  
EDWIN H. BROWN.

SAMUEL CLARK.