

(No Model.)

2 Sheets—Sheet 1.

J. H. BOWEN.
TOY MONEY BOX.

No. 581,533.

Patented Apr. 27, 1897.

Fig. 1.

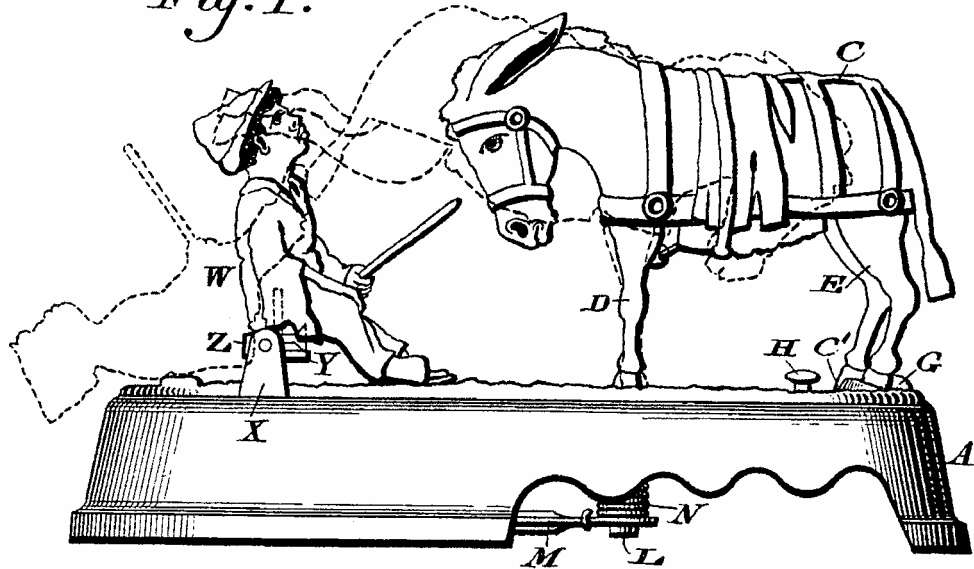
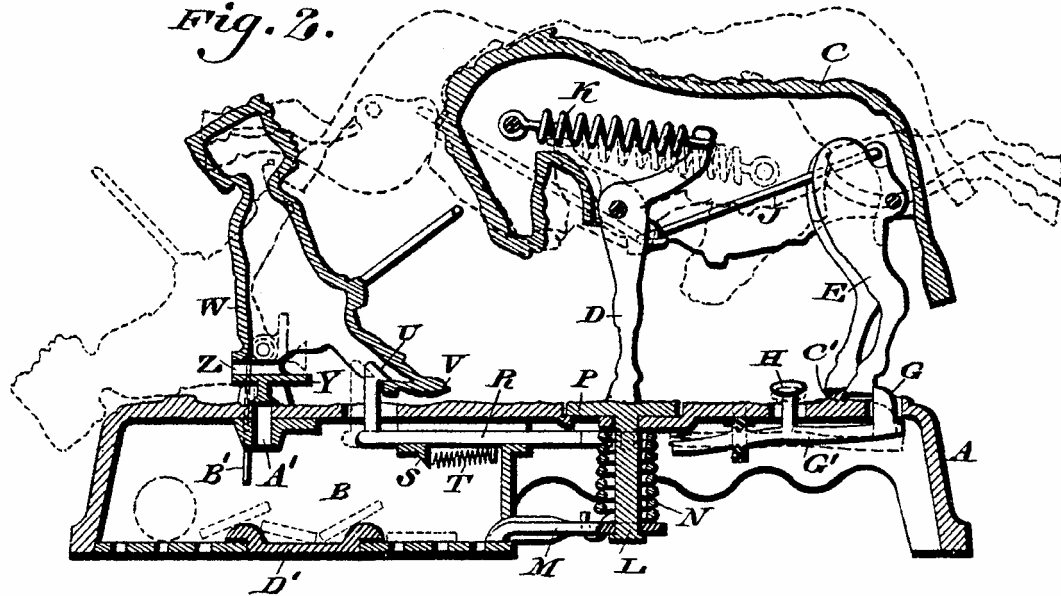


Fig. 2.



WITNESSES:

P. H. Hagler,
L. Douville.

INVENTOR
James H. Bowen
BY
John A. [Signature]
ATTORNEY.

(No Model.)

2 Sheets—Sheet 2.

J. H. BOWEN.
TOY MONEY BOX.

No. 581,533.

Patented Apr. 27, 1897.

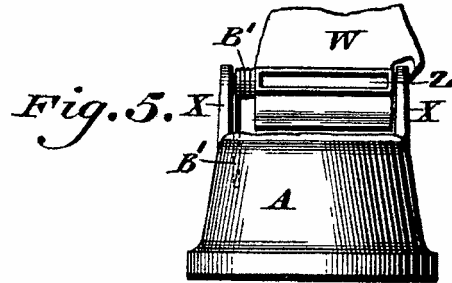


Fig. 3.

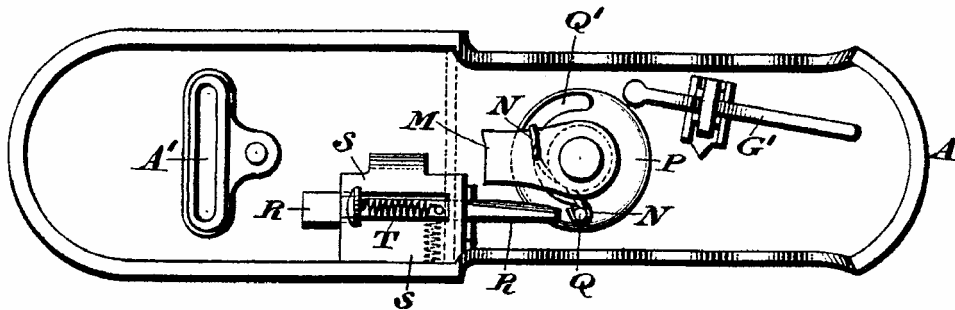
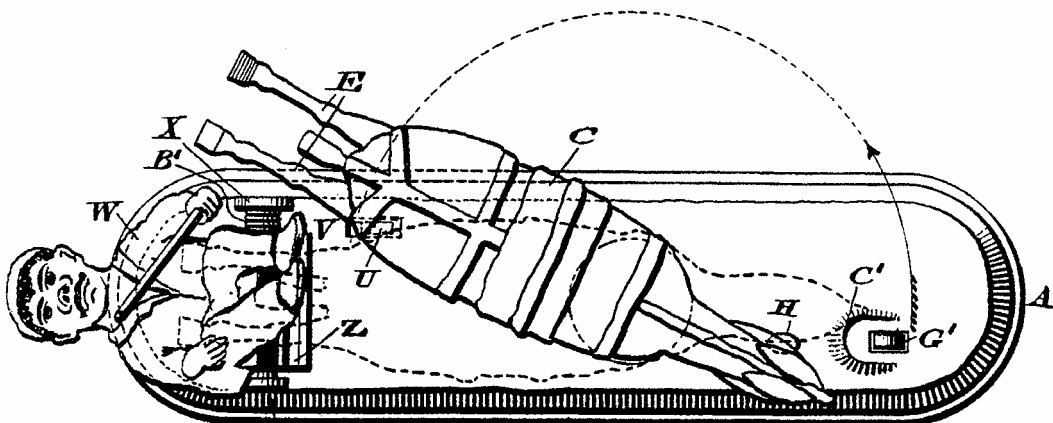


Fig. 4.



WITNESSES: X

P. F. Hoopes.
L. Douville.

INVENTOR
James H. Bowen.
BY
John A. Wiedersheim.
ATTORNEY.

UNITED STATES PATENT OFFICE.

JAMES H. BOWEN, OF PHILADELPHIA, PENNSYLVANIA.

TOY MONEY-BOX.

SPECIFICATION forming part of Letters Patent No. 581,533, dated April 27, 1897.

Application filed July 10, 1896. Serial No. 598,642. (No model.)

To all whom it may concern:

Be it known that I, JAMES H. BOWEN, a citizen of the United States, residing in the city and county of Philadelphia, State of Pennsylvania, have invented a new and useful Improvement in Toy Money-Boxes, which improvement is fully set forth in the following specification and accompanying drawings.

My invention consists of a toy money-box formed of figures, in one of which is a slot for primarily receiving a coin or money which is adapted to be placed in communication with a throat in the receptacle portion of the box, the figures being adapted to be released, simulating the motion of an animal, more particularly a mule, striking the other figure, which is more particularly that of a human being, who is apparently overturned, and thus directs the coin into the receptacle, the novel features being hereinafter described, and pointed out in the claims following the specification.

Figure 1 represents a side elevation of a toy money-box embodying my invention. Fig. 2 represents a longitudinal vertical section thereof. Fig. 3 represents a bottom plan view thereof, part of the same having been removed. Fig. 4 represents a top view. Fig. 5 represents a rear view of a portion thereof.

Similar letters of reference indicate corresponding parts in the several figures.

Referring to the drawings, A designates the bed or base, a portion of which forms the money-receptacle B.

C designates the figure of an animal, whose body is pivotally mounted on the front legs D and has its hind legs E pivotally connected with said body, the lower end of one of said legs E being adapted to be engaged by the nose G of the spring-pressed dog G', which is mounted on the base A and provided with the knob H, whereby said dog may be depressed and the hind legs released, it being noticed that the upper ends of the hind legs are connected with the body of the figure by means of the link J, and the upper ends of the front legs are connected with said body by the spring K, so that when the hind legs are released the tendency of the spring K is to raise the rear of the body and throw up the hind legs, as if the animal was in the act of kicking.

The front legs are connected with the vertical spindle or axis L, which is mounted on the top of the bed A and the horizontal arms M on the lower portion of said bed, said spindle and arm having connected with them the coiled spring N, whose tendency is to impart rotary motion to the figure.

On the under side of the head P and the spindle L is the depending stud Q, which projects through the segmental slot Q' in the top of the bed, it being noticed that one end of the spring N is connected with said stud and the latter is adapted to engage with the sliding dog R, which is guided in the frame S of the bed A, as most clearly shown in Figs. 2 and 3, and has the spring T bearing against it for holding it in normal or operative position.

Rising from the end of the dog R opposite to the stud Q is the nose U, which is adapted to engage with the feet V of the figure which in the present case is of the form of a boy in the act of sitting in front of the animal, said figure being mounted on the ears X, which rise from the bed A, so that said figure may swing rearwardly, as shown in Figs. 1, 2, and 4.

Y designates the seat which the figure W occupies, the same having a horizontally-arranged slot Z therein open at both ends for receiving a coin to be deposited in the receptacle B, and afterward discharging it, said receptacle being provided with a vertically-arranged throat A', which is adapted to have the slot Z placed in communication therewith when the figure W is in overturned position. In order to effect the rearward or overturning motion of said figure W, there is secured to one of the journals and the adjacent ear X the spring B', which also serves to cause the feet of the figure W to remain engaged with the nose U of the dog R.

On the upper side of the bed A, beneath the legs E of the figure C, is a shoulder C', whose tendency is to limit the forward motion of said feet and prevent strain thereon.

The operation is as follows: A coin is placed in the slot Z and the button H is depressed, whereby the dog G' is lowered and the legs E of the figure C released from the nose G of said dog, when the body of the figure rises and the legs are thrown up. Said figure is now con-

trolled by the spring N, whereby rotary motion is imparted to the spindle L, and consequently to the figure C, which latter then approaches the figure W as if in the act of striking the head thereof sidewise. Meanwhile the stud Q has reached the dog R and advanced the same. The nose U of the dog is thereby withdrawn from the feet V of the figure W, and the latter under impulse of the spring B' is thrown smartly rearward, simulating the result of a blow imparted to the figure W by the legs of the figure C. The slot Z is now in communication with the throat A', and the coin drops through the latter and is thus deposited in the receptacle B, from whence it may afterward be recovered through the door D' in the wall of the bed A.

To reset the device, the figure C is turned backward to the full extent and its hind legs pressed forward, so as to be engaged with the nose G of the dog G'. The figure W is raised, when its feet will engage with the nose U of the dog R, and the parts are in position to repeat the operation hereinbefore stated.

Having thus described my invention, what I claim as new, and desire to secure by Letters Patent, is—

1. In a toy money-box, a base, a figure having pivoted front legs connected with a head rotatable on said base, a dog secured to said base and engaging the hind legs of said figure, a spring connected to said front legs and body and a rod connecting said front and hind legs.

2. In a toy money-box, a base, a figure having pivoted front legs connected with a head rotatable on said base and pivoted hind legs connected by a rod to said front legs, a dog connected with said base engaging said hind legs, a spring connected with said front legs

and the body of the figure, a spring-controlled swinging figure on said base, and a spring-actuated rod engaged at one end by a stud on said head and at the other carrying a dog engaging said swinging figure.

3. In a toy money-box, a base, a head rotatably mounted thereon and provided with a stud, a spring operating said head, a dog connected with said base, a figure having front legs connected with said head and hind legs engaged by said dog, said front and hind legs being connected by a rod and said front legs having a spring connection with the body of said figure, a swinging figure having a seat mounted on said base, and a sliding rod guided in said base, having one end engaged by the stud on said head, and its other end provided with a dog engaging said swinging figure.

4. In a toy money-box, a rotary figure, an axis therefor, and a stud on said axis, in combination with a swinging figure, a dog which is adapted to engage with said figure, and be engaged by a stud on the axis of the rotary figure, substantially as described.

5. A toy money-box having a laterally rotatory and a swinging figure, mounted on the bed thereof, one of said figures having a money-receiving slot, in combination with means on the rotary figure for releasing the swinging figure, whereby the rotary figure simulates the act of striking the swinging figure sidewise, and the latter simulates overturning and has its slot placed in communication with the money-receiving receptacle of the device.

JAMES H. BOWEN.

Witnesses:

JOHN A. WIEDERSHEIM,
WM. C. WIEDERSHEIM.