

C. A. BRAUN.
TOY BANK.

(Application filed May 9, 1901.)

(No Model.)

Fig. 1.

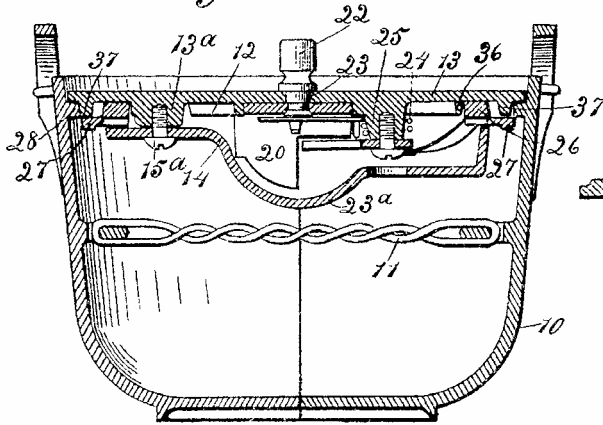


Fig. 2.

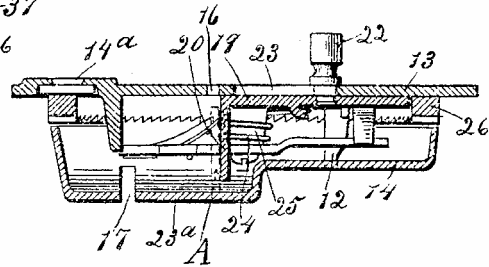


Fig. 3.

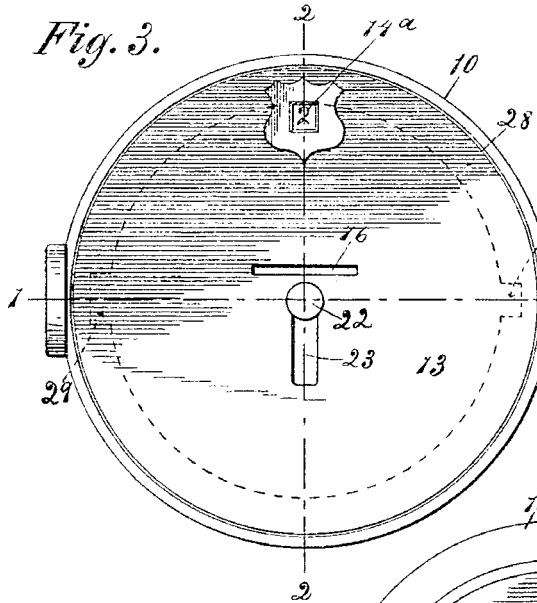


Fig. 4.

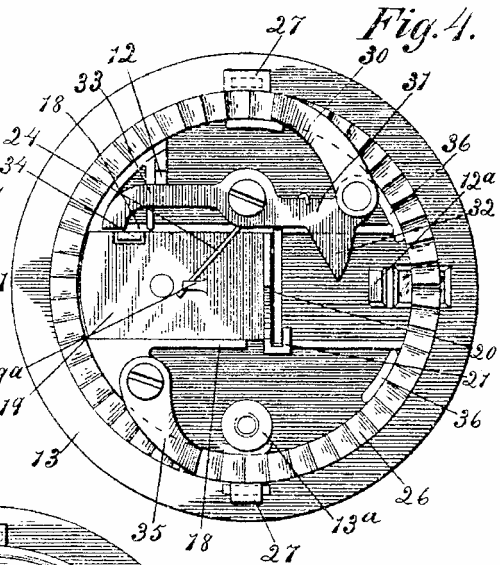
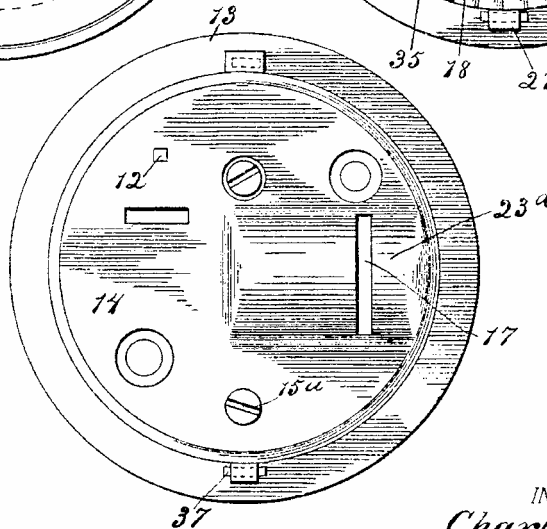


Fig. 5.



WITNESSES:
W. H. Cotton
Arthur Deibald.

INVENTOR:
Charles A. Braun.
BY
Louis Nelson
ATTORNEY.

UNITED STATES PATENT OFFICE.

CHARLES A. BRAUN, OF CHICAGO, ILLINOIS, ASSIGNOR TO FREDERICK K. GUSTIN, OF CHICAGO, ILLINOIS.

TOY BANK.

SPECIFICATION forming part of Letters Patent No. 698,389, dated April 22, 1902.

Application filed May 9, 1901. Serial No. 59,471. (No model.)

To all whom it may concern:

Be it known that I, CHARLES A. BRAUN, a citizen of the United States, and a resident of Chicago, county of Cook, and State of Illinois, have invented certain new and useful Improvements in Toy Money-Banks, of which the following is a specification and which are illustrated in the accompanying drawings, forming a part thereof.

My invention relates to toy money-banks, and has for one of its objects to provide a bank of the kind which is, in effect, coin-controlled—that is to say, the mechanism is so arranged that when the bank is once closed or locked it cannot be opened for the purpose of removing the contents until a certain number of coins have been deposited.

Another object is to provide a simple and effective means for delivering the coins to the bank or receptacle and for preventing the extraction of the same except when the bank is opened in the proper manner.

A further object is to provide means operated by the coin-delivering mechanism for indicating or registering the amount of money or number of coins deposited in the bank.

The invention consists of the mechanism hereinafter fully described, and which is illustrated in the accompanying drawings, in which—

Figure 1 is a section on the line 1 1 of Fig. 3. Fig. 2 is a section on the line 2 2 of Fig. 3, the coin-pusher being shown in its retracted position. Fig. 3 is a plan view of the bank. Fig. 4 is a view of the under face of the cover of the coin-receptacle, the housing-plate being removed; and Fig. 5 is a similar view with the housing-plate in position.

The coin-receptacle 10 is for convenience a casting preferably made in two sections, which are secured together by a wire 11 or other suitable means. The cover for the receptacle comprises two members—a cover proper, 13, and a plate 14, spaced apart by studs 12, 12^a, and 13^a—the latter of which receives a screw 15^a for securing the two members together. The operating mechanism is carried by the cover 13 and is housed under the plate 14, and each of the said members is provided with a coin-slot 16 and 17, respec-

tively, which slots are parallel, but do not register.

Reciprocating between the cover 13 and the plate 14 and guided by ribs 18 is a pusher-plate 19, having at one end a right-angle flange 20 and a finger 21, parallel with the flange, for holding a coin (shown in Fig. 2 as A) in upright position. A knob 22, the stem of which works in a slot 23 in the cover 13, provides means for reciprocating the pusher-plate 19, which plate is normally held in the position for delivering a coin to the slot 17 by one end of a spring 24, coiled about a post 25 on the cover 13 and reacting against a projection 19^a on the pusher-plate. At the limit of movement of the pusher-plate 19 in either direction the space or pocket formed by the flange 20 and the finger 21 comes alternately into alinement with the slots 16 and 17 in the cover members 13 and 14, so that a coin received from the former will be carried to and dropped through the latter slot. A curved groove or way 23^a is formed in the plate 14, into which the edge of the coin fits and which serves as a guide to keep the coin from falling out of the pocket between the flange 20 and the finger 21.

Mounted on the cover 13 and encircling the pusher-plate 19 is a movable ratchet-plate or ring 26, provided with one or more lugs 27, adapted to travel under a flange 28 in the mouth of the receptacle 10, slots 29 being cut through the flange for the passage of the lugs when putting on or taking off the cover. The ratchet-ring 26 has imparted to it a step-by-step or intermittent movement by a spring-pawl 30, carried by a lever 31, pivoted on the post 25. This lever is provided with a cam extension 32, which is normally in the path of the coin carried by the pusher-plate 19, and when the latter is shoved forward with a coin the cam 32 is engaged and the lever 31 moved on its pivot, causing the pawl 30 to move the ratchet-ring one step. As soon as the coin has passed the cam 32 the lever 31 is returned to its original position by the arm of the spring 24 opposite to that acting on the pusher-plate 19, the lever being stopped by the stud 12, against which its arm 33 bears. A dog 35 prevents backward movement of

the ratchet-ring, and the latter is guided in its travel by ribs 36 on the cover 13.

The ratchet-ring 26 is provided on its upper face with a series of numerals—say from “1” to “50”—indicating the number of coins the bank is designed to receive before being opened, the numerals being the same in number and spacing as the teeth on the ring; and as the cover 13 has an aperture 14^a disposed over the path of the ratchet-ring one may tell at a glance how many coins have been deposited in the bank.

It is intended that the ratchet-ring shall make one complete revolution to bring the lugs 27 of the ring 26 around to the slots by which they enter under the flange 28, so that the cover may be removed. If two lugs 27 are employed, one of them should be made smaller than the other and one of the slots in the flange 28 to correspond, as illustrated in Fig. 3, for the reason that if they are both made the same size the cover could be removed at the end of each half-revolution. This is a minor matter, however, and the arrangement of the lugs and slots in the flange may be made as desired.

In order to put the cover on the receptacle in the first instance, the ratchet-ring must be turned until each lug of the latter is opposite a corresponding projection 37 of the cover. The lugs may then be passed through the proper slots 29 in the flange 28, and the projections 37 will fit in the slots and prevent the cover from turning. In this position and before the first coin has been deposited the indicator will show the last and highest numeral on the ratchet-ring, or the position of the ratchet-ring at which the cover may be removed.

When it is desired to deposit a coin, the pusher-plate 19 is drawn back to the limit of its movement, whereupon the space or pocket between the flange 20 and the finger 21 will align with the slot 16. The coin being passed through the slot seats itself between the flange 20 and the finger 21, its edge resting in the guide groove or way 23^a. The knob 22 is then shoved forward, moving the pusher-plate 19 until the coin is brought into such position that it may drop through the slot 17 and into the receptacle 10, the stud 12^a arresting the coin at the proper time. During the movement of the coin between the slot 16 and the slot 17 the cam 32, being in the path of the coin, is engaged thereby, moving the lever 31 on its pivot and causing the ratchet-ring 26 to be moved one step by the pawl 30. This movement of the ring will bring the lowest numeral on the indicator to the sight-aperture 14^a, thereby showing that one coin has been deposited in the bank, and the lugs 27 of the ratchet-ring 26 having entered under the flange 28 the cover 13 will be locked against removal. On the deposit of each subsequent coin the ratchet-ring will be moved one step, indicating at each movement the total number of coins deposited, until the

ratchet-ring has made a complete revolution and reached its original position, when the cover may be removed.

The construction of the bank is such that it is impossible to open the same or to extract its contents until a predetermined number of coins have been deposited, so that the cover will be released by the locking mechanism. The removal of coin by way of the slots in the cover members is prevented by the cam 32. It will be apparent on reference to Figs. 2 and 4 that if the bank is held upside down and a coin caused to slide back through the slot 17 into the pocket between the flange 20 and the finger 21 and the pusher-plate is retracted the coin will be drawn against the cam 32 and held from passing the slot 16.

To guard against manipulation of the lever 31 of the locking mechanism by a wire or other means passed through the slot 16, in case an attempt is made to open the bank before the deposit of the requisite number of coins, the pusher-plate 19 is provided with a stop 34, which is thrown into the path of the arm 33 of the lever 31 when the pusher-plate is retracted, thereby preventing movement of the lever 31 in the direction in which it must move for actuating the locking-ring 26.

I claim as my invention—

1. In a toy money-bank, in combination, a receptacle, a cover therefor, a carrier for delivering coin to the receptacle, means for locking the cover, lock-releasing means governed by the coin as conveyed by the carrier, and means for holding the lock-releasing means against movement when the carrier is retracted.

2. In a toy money-bank, in combination, a receptacle, a pusher-plate for receiving a coin and depositing it in the receptacle, a rotatable ratchet-ring for locking the cover to the receptacle, pawl mechanism for advancing the ratchet-ring and which is operated by a coin as conveyed by the pusher-plate, and a stop on the pusher-plate for holding the pawl mechanism against movement when the pusher-plate is retracted.

3. In a toy money-bank, in combination, a receptacle, a cover therefor, a pusher-plate for receiving a coin and depositing it in the receptacle, a rotatable ratchet-ring for locking the cover to the receptacle, a pawl for actuating the ratchet-ring, a lever to which the pawl is connected, a cam on the lever and which is engaged by a coin as conveyed by the pusher-plate in either direction, and a stud, the said lever having an arm which engages the stud to prevent backward movement of the lever.

4. In a toy money-bank, in combination, a receptacle having an internal annular flange provided with a slot, a non-rotatable cover for the receptacle, a ratchet-ring carried by the cover and having a projection engaging the flange to lock the cover to the receptacle, a coin-carrier reciprocating across the cover

and within the space bounded by the ratchet-ring and for receiving a coin and depositing it in the receptacle, a pawl engaging the ratchet-ring, and a lever actuating the pawl, 5 the movement of the lever being governed by the coin as conveyed by the coin-carrier.

5. In a toy money-bank, in combination, a receptacle, a cover, a pusher-plate for receiving a coin and depositing it in the receptacle, 10 a rotatable ratchet-ring secured to the cover and having means for locking the cover to the receptacle, a lever, a pawl carried by the lever for rotating the ratchet-ring, the lever having a cam which is engaged by a coin as 15 conveyed by the pusher-plate for unlocking the cover, and a stop for preventing movement of the lever when the pusher-plate is in its retracted position.

6. In a toy money-bank, in combination, a 20 receptacle, a cover therefor comprising two members spaced apart and provided with non-registering coin-apertures, a rotatable ratchet-ring carried by one of said cover members and having projections engaging the 25 flange to lock the cover to the receptacle, a coin-carrier having a pocket and which reciprocates between the cover members and within the space bounded by the ratchet-ring, a

pawl engaging the ratchet-ring, a pivoted lever to which the pawl is connected, and a cam 30 projecting from the lever and into the path of the coin seated in the pocket of the coin-carrier.

7. In a toy money-bank, in combination, a receptacle, a cover therefor comprising two 35 members spaced apart and provided with non-registering coin-apertures, a rotatable ratchet-ring carried by one of said members and having projections engaging the flange to lock the cover to the receptacle, a pusher- 40 plate having a pocket and carried by the cover member carrying the ratchet-ring, the said pusher-plate reciprocating between the cover members and within the ratchet-ring, a pawl engaging the ratchet-ring, a lever pivoted to 45 the cover member carrying the ratchet-ring and between the latter and the pusher-plate, a spring-pawl secured to the lever for actuating the ratchet-ring, and a cam projecting from the lever and into the path of the coin 50 seated in the pocket of the pusher-plate.

CHARLES A. BRAUN.

Witnesses:

ARTHUR B. SEIBOLD,
LOUIS K. GILLSON.