

1,121,049.

Patented Dec. 15, 1914.

2 SHEETS-SHEET 1.

FIG. 1.

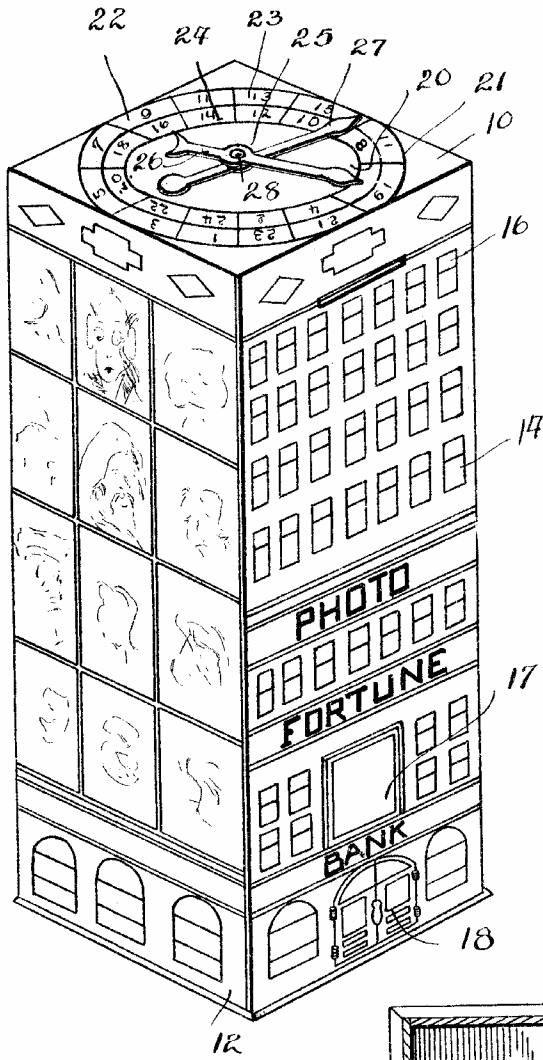


FIG. 2.

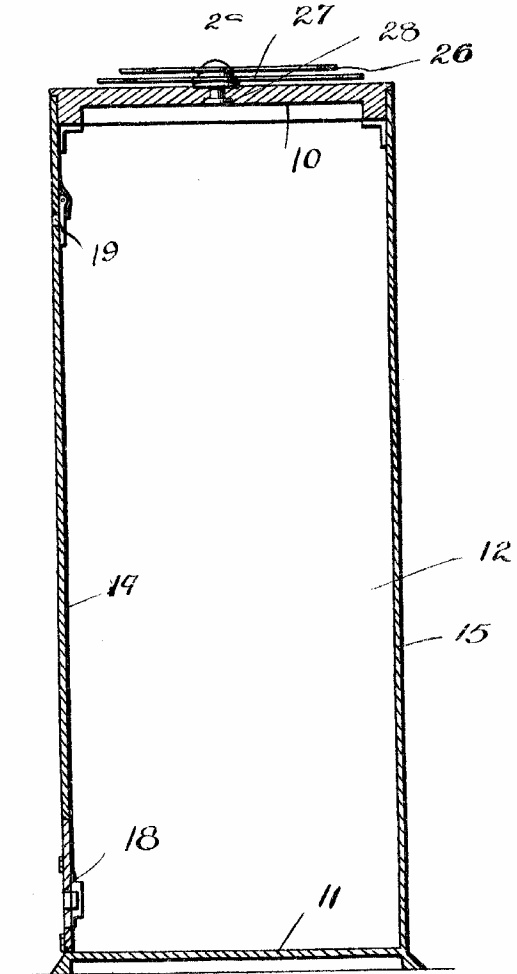
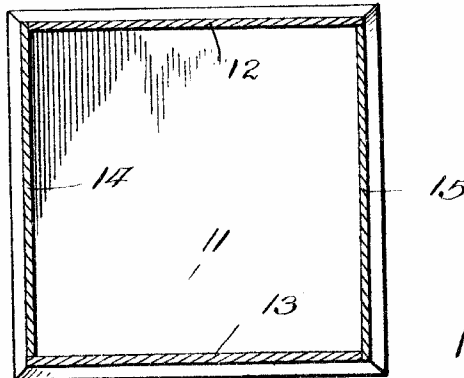


FIG. 3.



Witnesses
 E. O. Crocker

J. H. Johnston

Inventor
 N. C. Shatzer

By

W. H. [Signature], Attorneys

1,121,049.

Patented Dec. 15, 1914.

2 SHEETS SHEET 2.

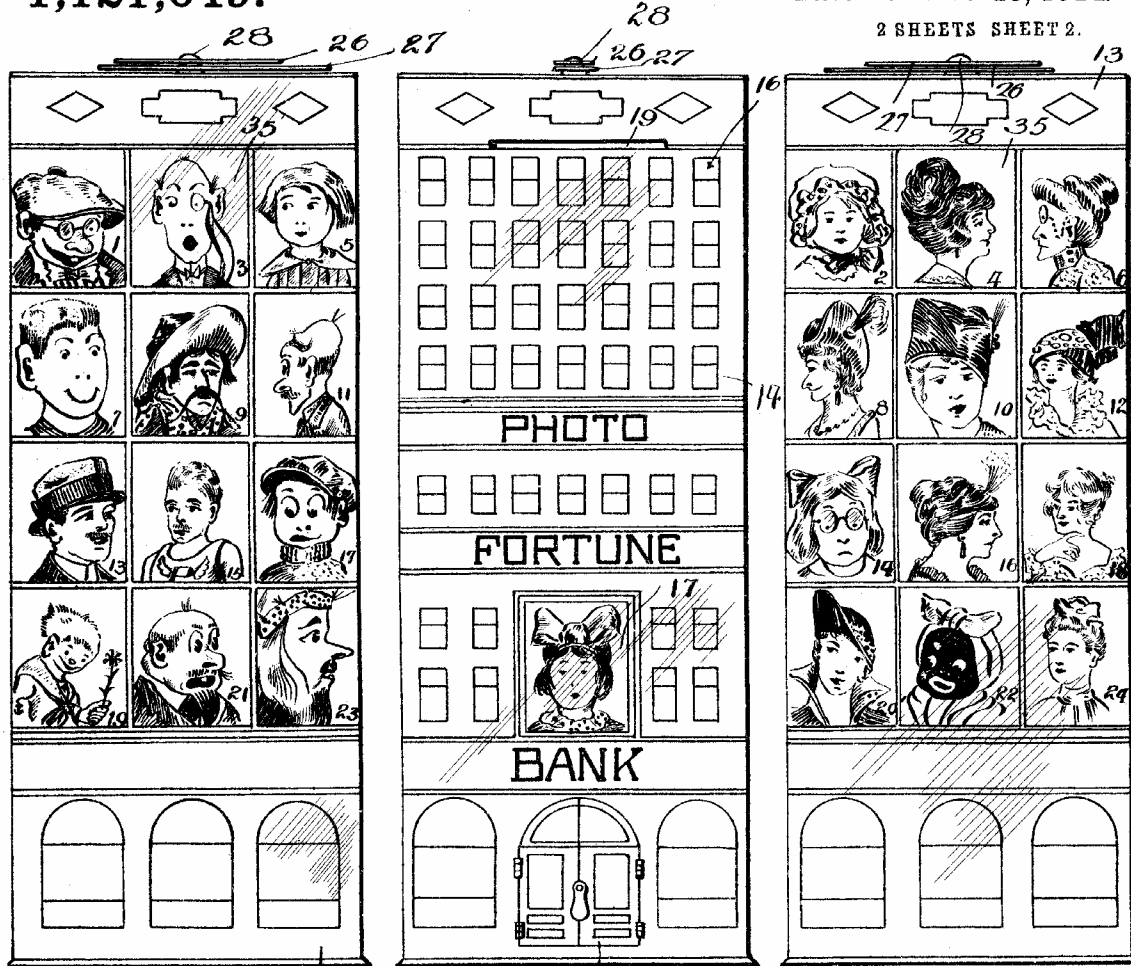


FIG. 4.

FIG. 5.

FIG. 6.

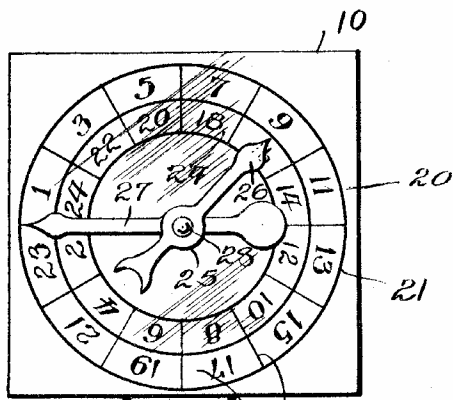


FIG. 8.

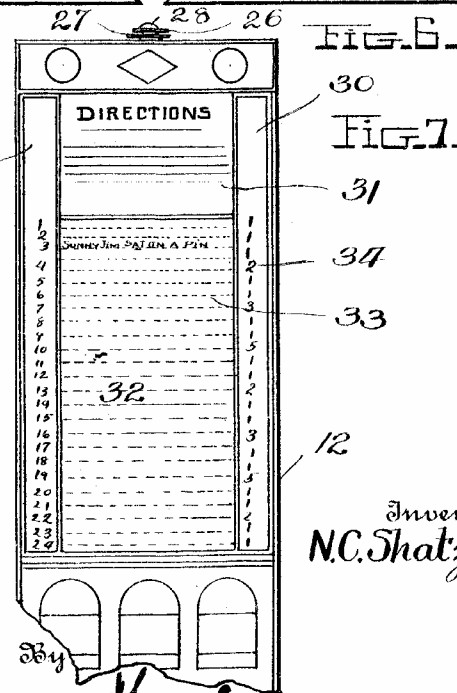


FIG. 7.

Witnesses
 E. O. Crocker

J. H. Johnston

Inventor
 N. C. Shatzer

Attorneys

UNITED STATES PATENT OFFICE.

NORMAN C. SHATZER, OF ZULLINGER, PENNSYLVANIA.
TOY BANK.

1,121,049.

Specification of Letters Patent. Patented Dec. 15, 1914.

Application filed April 15, 1914. Serial No. 832,033.

To all whom it may concern:

Be it known that I, NORMAN C. SHATZER, citizen of the United States, residing at Zullinger, in the county of Franklin and State of Pennsylvania, have invented certain new and useful Improvements in Toy Banks, of which the following is a specification.

This invention comprehends certain new and useful improvements pertaining to small savings banks such as are employed in private families to contain spare change, and relates more particularly to an improved bank of this character especially designed for children.

The invention has as its primary object to provide a bank which will serve as a depository for the child's savings and also at the same time possess the characteristics and diversion of a toy, to the end that the bank may serve not only to encourage the child to save but may be so constructed and designed to furnish the child a certain amount of amusement, when depositing coins in the bank.

A further object of the invention is to provide a toy bank which will be, so far as the child is concerned, attractive in appearance, and so constructed that an element of chance may be introduced as to the exact amount which must be placed in the bank upon each operation thereof.

To further add to the inducement of saving, the invention has as another object to provide a bank having a number of pictures arranged upon the sides thereof, said pictures being numbered and representing boys and girls, the pictures of the boys being arranged on one side of the bank and the pictures of the girls being arranged on the opposite side of the bank, and also providing means whereby the boy or girl using the bank may have his or her fortune told at the time of depositing coins therein by operating a spinner carried by the bank, which spinner includes a dial carrying numbers identifying the pictures and designating corresponding fortunes also arranged upon the bank, the pictures being supposed to show a caricature of such boy or girl as well as a representation of their "best girl" or "best girl" as the case may be, while at the same time the bank will carry certain figures arranged opposite said fortunes which last mentioned figures will designate the price of the fortune and the consequent

1,121,049

centric lines 21 one within the other which are intersected at suitable intervals by the radial lines 22 thus providing two series of spaces 23 and 24, the series of spaces 24 being arranged within the series of spaces 23. Concentrically mounted within the dial 20 is a spinner 25 which includes the hands 26 and 27, the hand 26 being shorter than the hand 27 and arranged to indicate the inner series of spaces 24 while the hand 27 is arranged to indicate the series of spaces 23, said hands 26 and 27 being mounted for rotation upon the stud 28 embedded in the head 10.

The series of spaces 23 carry odd numbers in order preferably beginning with the number 1 and reading from left to right, there being a sufficient number of said spaces 23 to be thus numbered up to and including the number 23, and the series of spaces 24 carry even numbers in order beginning with the number 2 and reading from right to left, there being a sufficient number of said spaces 24 to be thus numbered up to and including the number 24. It will thus be seen that the dial carries a total number of 24 spaces. However, it is to be understood that I do not wish to limit myself to this number of spaces upon the dial as the dial may be made either larger or smaller and thus carry a greater or less number of spaces but in numbering the spaces, the arrangement which I have illustrated is to be preferably followed.

The rear wall 15 of the bank preferably carries some suitable ornamentation which may be printed thereon, such as is shown in Fig. 7 of the drawings. However, such rear wall is preferably lined to provide adjacent the opposite edges thereof vertically disposed panels 29 and 30 and intermediate transversely extending panels 31 and 32. Within the panel 31 the word "Directions" is preferably placed following which, a brief description as to the manner of operating the bank may be added. Immediately below the panel 31, the panel 29 carries in consecutive order numbers running from 1 to 24, such numbers corresponding to the numbers carried by the dial, the highest number carried in the panel 29 being equal to the highest number appearing upon the dial. This is also best shown in Fig. 7 of the drawings. Opposite each of the numbers carried by the panel 29 and arranged within the panel 32 is a short "fortune", a typical "fortune" being indicated as 33. The wording of such fortunes may be, of course, varied, as desired, but they should contain something such as would appeal to the mind of a child. Following each fortune and disposed within the panel 30 is a series of arbitrarily arranged figures 34, the highest number of any one of said figures preferably being that of 5.

The side wall 12 is preferably provided

with some suitable ornamentation and a portion of its area is divided into panels 35. Each of the panels 35 carries a suitable picture or caricature representing boys or men having a generally funny appearance. All of the pictures upon the side wall 12 should represent male subjects and each of said pictures carries a number arranged within the corresponding panel. The pictures of the male subjects are designated by the odd numbers carried upon the dial 20, such odd numbers being arranged in order beginning with the upper left-hand panel and reading transversely across the face of the side wall 12 from left to right, there being, of course, a sufficient number of panels so that there may be a picture for each of the odd numbers carried by the dial.

The side wall 13 also carries some suitable ornamental design and is laid off in panels 36 in the same manner as above described with reference to the side wall 12. The side wall 13 carries in the panels suitable pictures representing girls or ladies of somewhat ludicrous appearance. All of the pictures upon the side wall 13 are of female subjects and by this arrangement it will be noted that the boys are arranged upon one side face of the bank while the girls are arranged upon the opposite side face of the bank. Each of the pictures arranged within the panels 36 bears a designating number suitably arranged within each respective panel, such numbers being the even numbers appearing upon the dial 20 and reading in order from left to right transversely across the face of the side wall 13 beginning with the panel in the upper left-hand corner thereof, which in the present instance, would of course, be designated 2. In this connection it will be understood that there will be a sufficient number of pictures appearing upon the side wall so that there will be a picture for each of the even numbers appearing upon the dial 20.

In explaining the operation of my improved bank, it will be supposed, as a matter of convenience, that a boy desires to have his fortune told prior to placing a coin or coins within the bank. The hands 26 and 27 of the spinner are operated and it will be assumed that said hands come to rest upon 1 and 16. Now since it is a boy telling his fortune, the long hand 27 pointing to the odd number which designates a corresponding male picture, such hand will point out to him a number by which he may by comparison discover the picture of himself upon the side face 12 of the bank and in the present instance, the hand is pointing to the number 1. Thus the picture designated 1 upon the side face 12 of the bank will be considered to be the picture of the boy. The short hand 26 pointing to the even numbers 130

will designate to him a number by which he may by comparison discover upon the side face 13 of the bank a picture of his "best girl" and in the instance given, the pointer 26 designating the number 16 upon the dial, the picture numbered 16 upon the side face 13 will be considered to be his "best girl."

After having located the respective pictures in accordance with the numbers indicated by the hands of the dial after spinning in the manner just above described, the rear face 15 of the bank is consulted. The number indicated by the long hand 27 and designating a corresponding picture of the boy is supposed to be the boy's number, which number he consults in the panel 29 upon the rear face of the bank. Opposite this number he then reads his fortune without in the panel 33. The number of the series of numbers 24 arranged within the panel 30 upon the rear face of the bank and following such fortune of the boy is supposed to indicate the price of the fortune which amount he is then obligated to place in the bank. In the instance given, the long hand designating the number 1 upon the dial, the boy's picture will, as above explained, be the picture designated by the number 1. Finding this number in the panel 29 upon the rear face of the bank, the boy reads his fortune in the panel 33 following which as indicated in Fig. 7 of the drawings and arranged within the panel 30 is the number 1, this figure indicating that the boy must place one cent in the bank.

Where a girl is to operate the bank, the procedure is the same as just above described, only in this instance, the hand 26 will serve to indicate the picture of the girl while the long hand 27 will indicate the picture of her "beau." Having operated the spinner and having located the pictures upon the side face of the bank as above described, she then consults the rear face of the bank to discover her fortune and to determine the cost of the fortune, which amount she must place in the bank.

It will therefore be seen that I provide a bank which will not only serve in the capacity of a depository for coins, but which is so designed that the operation of the bank will afford amusement and thus encourage saving. At the same time that money is deposited in the bank the person depositing such money may have his fortune told and a further attractive feature of the invention lies in the fact that the amount of money to be so deposited upon each operation of the bank, is dependent upon chance. Having thus described my invention, what I claim and desire to secure by Letters Patent is:

1. The combination with a bank, of pictures arranged thereon, numbers designat-

ing said pictures, fortunes arranged upon the bank, numbers designating said fortunes and corresponding to the numbers of each picture, numbers indicating the cost of each fortune and means carried by the bank and manually operable to determine the choice of said pictures.

2. The combination with a bank, of pictures arranged upon the side walls of the bank, numbers designating said pictures, numbers arranged upon the bank and corresponding to the numbers of the pictures, fortunes arranged upon the bank and designated by said last mentioned numbers, numbers arranged adjacent said fortunes and indicating the price of each fortune, a dial, numbers carried by the dial corresponding to the numbers of the pictures, and manually operable means carried by the bank for determining the choice of the numbers upon the dial.

3. The combination with a bank, of a plurality of pictures arranged upon one side face thereof, said pictures representing male subjects, a plurality of pictures arranged upon the opposite side face of the bank and representing female subjects, numbers designating the male subjects, numbers designating the female subjects, fortunes arranged upon the bank and bearing numbers corresponding to the numbers of the male and female subjects, numbers designating the price of each fortune, a dial bearing numbers corresponding to the numbers of the male and female subjects, and manually operable means for determining the choice of the numbers upon the dial.

4. The combination with a bank, of pictures arranged thereon, said pictures representing a male and female subject, an odd number designating the male subject, an even number designating the female subject, fortunes arranged upon the bank and bearing odd and even numbers corresponding to the odd and even numbers of the male and female subjects, numbers arranged upon the bank and designating the price of each fortune, a dial bearing an odd and even number corresponding to the odd and even numbers of the male and female subjects, and hands carried by the dial, one of said hands being arranged to point the even number and the other of said hands being arranged to point the odd number, said hands being manually operable to indicate said numbers.

5. The combination with a bank, of a plurality of pictures arranged thereon, said pictures representing male subjects, a plurality of pictures representing female subjects arranged on the bank, odd numbers designating the male subjects, even numbers designating the female subjects, the numbers of the male and female subjects being consecutive, consecutive numbers arranged on the bank corresponding to the numbers 130

of the male and female subjects, fortunes arranged on the bank and designated by said last mentioned consecutive numbers, numbers arbitrarily arranged and designating the price of said fortunes, a dial bearing numbers corresponding to the numbers of the male and female subjects, and manually operable means carried by the bank for determining the choice of the numbers upon the dial.

6. The combination with a bank having a portion of one side face thereof divided into panels, of pictures arranged in said panels, said pictures representing male subjects, panels arranged upon the opposite side face of the bank and corresponding in number to said first mentioned panels, pictures arranged in said last mentioned panels, said pictures representing female subjects, numbers designating the male subjects, numbers arranged upon the rear face of the bank and extending vertically thereof, said panels being arranged adjacent the side edge of said face, a panel extending transversely of the rear face of the bank between said first mentioned panels, numbers consecutively arranged and disposed in one of said vertically extending panels, said numbers corresponding to the numbers of the male and female subjects, fortunes arranged in said transversely extending panel and designated by said consecutive numbers, numbers arbitrarily arranged and disposed in the vertically extending panel opposite said first mentioned vertically extending panel, said arbitrarily arranged numbers designating the price of the fortunes, a dial carrying numbers corresponding to the numbers of the male and female subjects, and manually operable means carried by the bank and arranged to determine the choice of the numbers upon the dial.

7. The combination with a bank including head members, of side walls secured to said members, pictures arranged on said side walls, numbers designating said pictures,

fortunes arranged on the bank and designated by the numbers of the pictures, numbers indicating the price of each fortune, a dial bearing numbers corresponding to the numbers of the pictures and manually operable means carried by the bank and adapted to determine the choice of the numbers upon the dial.

8. The combination with a bank, of a dial carried by the bank, said dial bearing concentrically arranged series of numbers, hands carried by the dial and manually operable to indicate the numbers of each series, pictures arranged upon the bank, numbers designating said pictures and corresponding to the numbers upon the dial, fortunes arranged on the bank and designated by the numbers of the pictures, and a number indicating the price of each fortune.

9. The combination with a bank, of a dial carried by the bank, numbers arranged on said dial in concentric series, the outer series being odd numbers and reading from left to right and the inner series being even numbers and reading from right to left, hands arranged on the dial and manually operable to designate the numbers of each series, pictures representing male subjects arranged on one side of the bank, pictures representing female subjects arranged upon the opposite side of the bank, odd numbers corresponding to the odd numbers upon the face of the dial and designating the male subjects, even numbers corresponding to the even numbers upon the face of the dial designating the female subjects, fortunes carried by the bank and bearing designating numbers corresponding to the numbers of the male and female subjects, and a number designating the price of each fortune.

In testimony whereof I affix my signature in presence of two witnesses.

NORMAN C. SHATZER. [L. s.]

Witnesses:

A. E. SHATZER,
P. R. SHATZER.

Copies of this patent may be obtained for five cents each, by addressing the "Commissioner of Patents, Washington, D. C."