

Sept. 6, 1927.

1,641,213

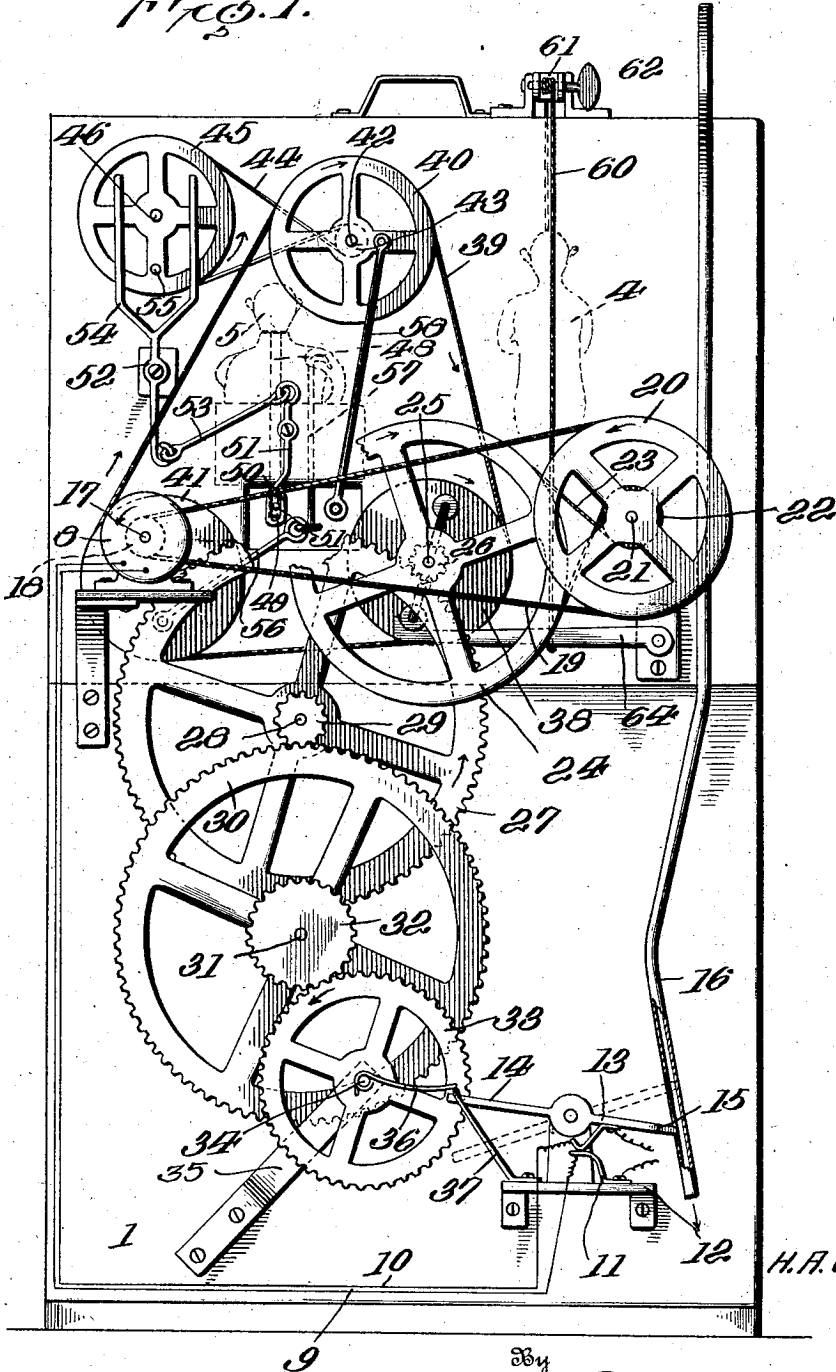
H. A. WILLIAMS

AMUSEMENT DEVICE

Filed March 10, 1921

2 Sheets-Sheet 1

FIG. 1.



Inventor  
H. A. WILLIAMS,

334

*A. B. Wright*

Attorney

Sept. 6, 1927.

1,641,213

H. A. WILLIAMS

AMUSEMENT DEVICE

Filed March 10, 1921

2 Sheets-Sheet 2

Fig. 2.

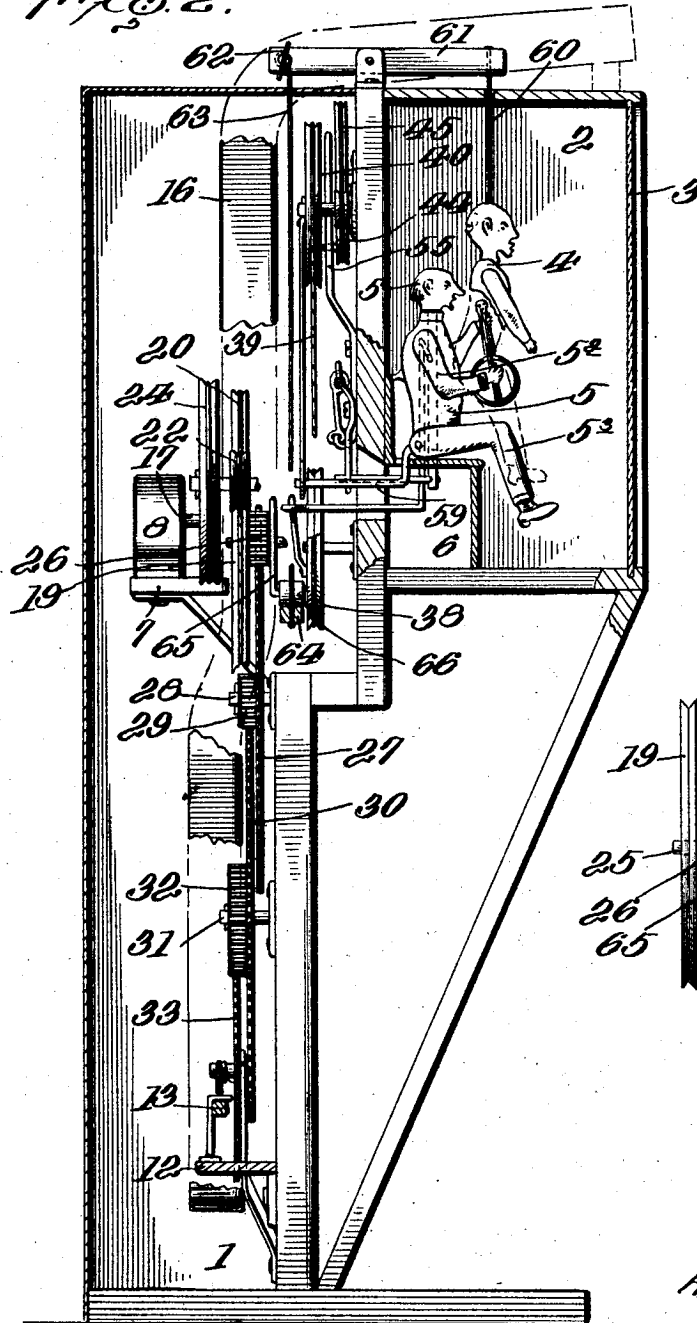
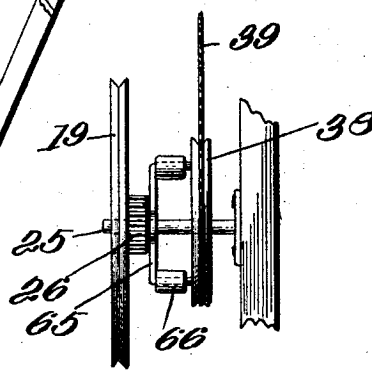


Fig. 3.



Inventor  
H. A. WILLIAMS.

By *[Signature]* Attorney

# UNITED STATES PATENT OFFICE.

HENRY A. WILLIAMS, OF MURPHYSBORO, ILLINOIS.

## AMUSEMENT DEVICE.

Application filed March 10, 1921. Serial No. 451,229.

This invention relates to certain new and useful improvements in amusement devices adapted to be set in motion by the introduction of a coin or token, the object being to provide an amusement device in which what I term a dancing and a musical figure is disposed within a chamber having a glass front and connected to mechanism for causing one of the figures to dance and the other to play an instrument.

Another object of the invention is to provide novel means for operating the figures through the medium of driving mechanism operated by an electric motor which is set in motion by the introduction of a coin which causes a circuit to be closed so as to supply the electrical energy to the motor for operating the figures.

A further object of the invention is to provide novel means for cutting off the supply of electrical energy to the motor after the device has operated a predetermined time by the medium of timing gears.

A still further object of the invention is to provide a construction which is very simple, the parts being so arranged and mounted that they are not likely to get out of order in operation.

Other and further objects and advantages of the invention will be hereinafter set forth and the novel features thereof defined by the appended claims.

In the drawings,

Figure 1 is a rear view of my improved device, the back of the case being removed;

Figure 2 is a vertical section through the device; and

Figure 3 is a detail view of the driving means for operating the dancing figure.

In the drawings 1 indicates a case or housing having a chamber 2 provided with a glass front 3 in which is disposed a dancing figure 4 and a musical figure 5, the musical figure 5 being disposed upon a bench 6. The device is capable of being inserted in a large cabinet or can be used as shown but I do not wish to limit myself to the particular construction of case employed.

Mounted on a suitable supporting bracket 7 within the housing 1 is an electrical motor 8 supplied with electrical energy through wires 9 and 10 from a suitable source of supply not shown. The wire 9 is connected to a spring contact 11 fixed on a bracket 12 and the wire 10 is connected to a spring contact 13 carried by a pivoted trip 14 having its

end 15 arranged to travel in a slot formed in a coin tube 16 which extends up through the top of the casing and forward as clearly shown so that when a coin is dropped into the coin tube, the weight of the coin will force the contact 13 into engagement with the contact 11 in order to complete the circuit of the motor.

The electrical motor 8 is provided with a shaft 17 carrying a pulley 18 over which passes a belt 19 extending around a pulley 20 carried by shaft 21 which is also provided with a pulley 22. Looped around the pulley 22 is a belt 23 which passes around a pulley 24 fixed on shaft 25 having a pinion 26 fixed thereon which engages a gear 27 fixed on shaft 28. The shaft 28 is provided with a pinion 29 which engages a gear 30 carried by a shaft 31 which is also provided with a pinion 32 meshing with a gear 33 carried by shaft 34 supported in bracket 35 forming a train of timing gears. The shaft 34 carries a spring arm 36 normally supported by an arm 37 and adapted to engage the free end of the trip 14 and move the same downwardly in order to break the contact so as to cut off the motor after the device has been operated a predetermined time.

The shaft 25 carries a pulley 38 around which passes a belt 39 traveling around a pulley 40 and a pulley 41, the pulley 40 being fixed on a shaft 42 and provided with a pulley 43 of a smaller diameter around which passes a belt 44 which extends around a pulley 45 mounted on shaft 46.

The head 5' of the musical toy 5 is mounted on stem 48 so as to oscillate, said stem being provided with a pin 49 arranged within an eye 50 carried by a lever 51 which is connected to an oscillating lever 52 by a link 53, said oscillating lever being provided with a fork portion 54 adapted to be engaged by a pin 55 carried by the pulley 45, so that as the pulley 45 rotates the lever 52 will be rocked on its pivot and through its connection with the stem 48 and through the medium of the link 53 and lever 51 the head of the musical player will be oscillated so as to move from side to side.

The toy 5 is provided with a pivoted arm 52 which is adapted to move over the musical instrument carried thereby to imitate the playing of the same, the arm being caused to move by a pitman rod 56 carried by the pulley 41 which is connected to a rod 57 which in turn is connected to the pivoted arm 52 of

the musical figure. The musical figure is provided with a pivoted leg 5<sup>3</sup> which is moved up and down by a pitman 58 carried by the pulley 40 which is connected to a rod 58 carried by the pivoted leg so as to cause the figure to keep time with its foot as the device is operated.

The dancing figure 4 is supported by a wire or spring 60 carried by the free end of a rocking beam 61. The other end of the rocking beam carries an adjustable shaft or pin 62 around which is wound a cable 63 which has its lower end connected to a rocking arm 64. The length of the cable 63 can be adjusted by operating the pin 62 so as to adjust the position of the figure in its dancing movement within the chamber 2.

The shaft 25 has fixed thereon a pair of oppositely disposed arms 65 carrying anti-friction rollers 66 at their ends which are adapted to intermittently engage the rocking arm 64 so as to force the same downwardly in order to move the dancing figure up and down.

From the foregoing description it will be seen that I have provided an amusement device having a pair of figures arranged to be

operated through mechanism operated by an electrical motor which is supplied with electrical energy by the introduction of a coin or token and through suitable timing mechanism the device operates for a predetermined time and then it is automatically cut off.

What I claim is:—

1. An amusement device comprising a figure having a vertical stem carrying the head thereof, said stem being provided with a pin extending laterally therefrom, a lever having an eye to receive said pin, an oscillating lever having a connection with said lever and means for operating said oscillating lever.

2. In an amusement device, the combination with a housing, of a rocking beam carrying a cable, a toy attached to said cable, a rocking arm, a cable carried by said arm adjustably secured to said rocking beam and a pair of arms having anti-friction rollers carried by a shaft adapted to be intermittently moved into engagement with said rocking arm for rocking said beam.

In testimony whereof I hereunto affix my signature.

HENRY A. WILLIAMS.