

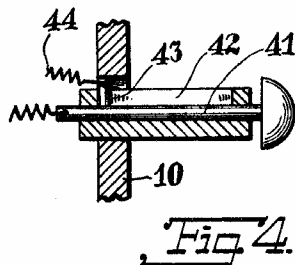
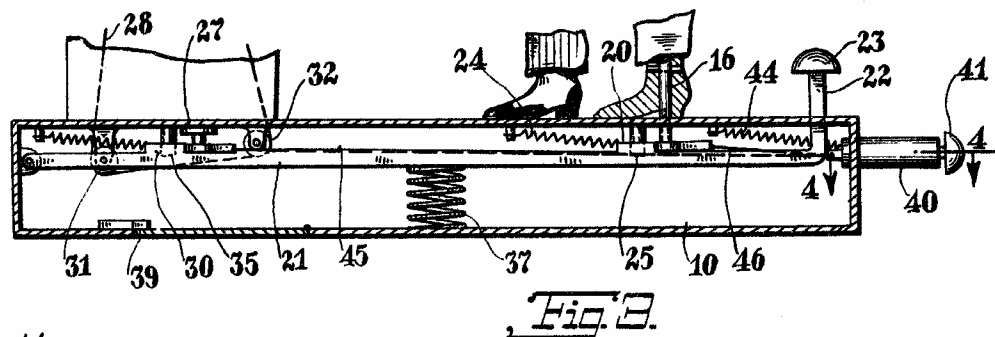
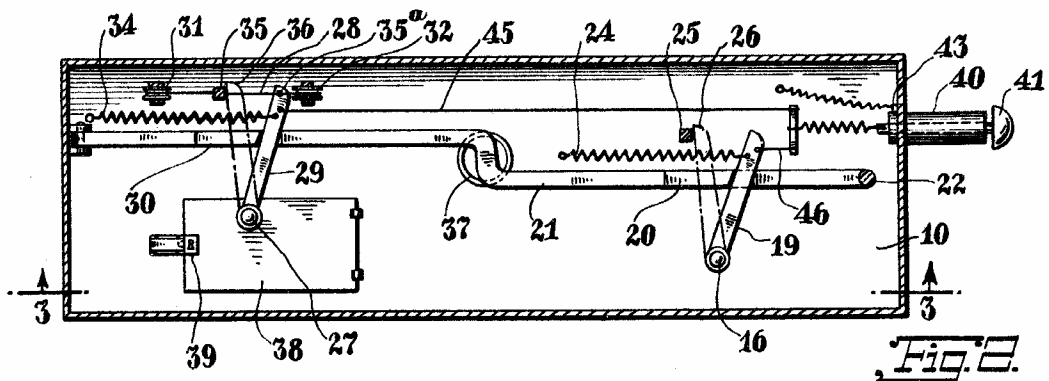
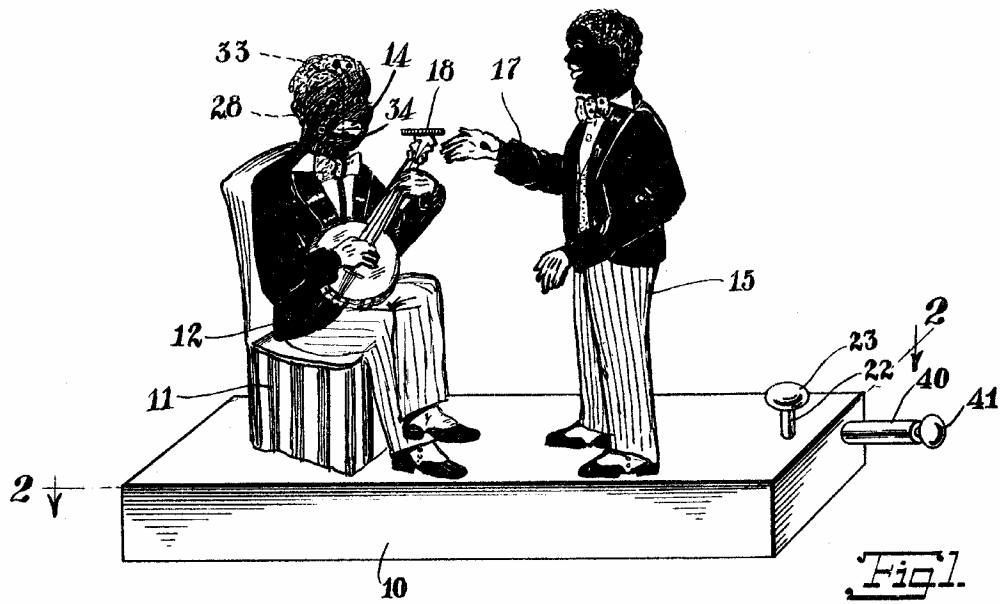
June 11, 1929.

W. COLA

1,717,144

TOY BANK

Filed June 29, 1928



INVENTOR.
William Cola
BY *Golden Polanick*
ATTORNEY

UNITED STATES PATENT OFFICE.

WILLIAM COLA, OF SACRAMENTO, CALIFORNIA.

TOY BANK.

Application filed June 29, 1928. Serial No. 289,182.

This invention relates generally to banks, and has more particular reference to a novel toy bank.

The invention has for an object the provision of a device of the class mentioned which is of simple durable construction, desirable and efficient in action, and which can be manufactured and sold at a reasonable cost.

The invention proposes the use of a hollow base for banking coins, and one figure, preferably a negro sitting on a chair and playing a banjo, stationarily mounted on this base, and a second figure, preferably a negro standing, pivotally mounted on the base, and arranged for striking a coin placed on a top flat end of the said banjo, upon the depression of a button for throwing the coin into the first negro's mouth which is arranged to open and receive the coin. The first figure is of hollow construction so that the coin falls thereinto into the base. The arrangement should be such that the figures may be set into original operative positions for receiving the next coin.

It is pointed out that the device is quite an attractive toy, and naturally stimulates and encourages saving in that there is a desire to see the device operating.

For further comprehension of the invention, and of the objects and advantages thereof, reference will be had to the following description and accompanying drawings, and to the appended claims in which the various novel features of the invention are more particularly set forth.

In the accompanying drawing, forming a material part of this disclosure:

Fig. 1 is a perspective view of a device constructed according to this invention.

Fig. 2 is a horizontal sectional view, taken on the line 2-2 of Fig. 1, that is directly beneath the top of the base.

Fig. 3 is a fragmentary vertical sectional view, taken on the line 3-3 of Fig. 2.

Fig. 4 is a fragmentary horizontal sectional view, taken on the line 4-4 of Fig. 3.

The reference numeral 10 indicates generally a hollow base consisting of a top, a bottom, and sides. A chair 11 is fixed upon the base, and a figure 12 is shown sitting on the chair. The figure 12 is shown as playing a flat banjo 13 and the top end of the banjo is flat and aligned with the mouth of the figure which has a pivoted jaw 14 arranged for open-

ing and closing. The figure 12 and the chair 11 is of hollow construction so that a coin placed into the mouth of the figure falls into the base 10.

A second figure 15 is shown standing on the base and is pivoted thereon by a shaft 16 fixed to one of the legs of the figure relatively engaged in the top of the base 10. This figure has one outstretched arm and hand 17 aligned with a coin 18 placed on the top of the banjo 13. The shaft 16 serves as the only point of support of the figure 15 so that the shaft may be slightly and swiftly rotated for causing the hand of the arm 17 to strike the coin 18 and throw same into the mouth of figure 12 from which it then falls into the base 10.

The shaft 16 has a lever 19 fixed thereto, which is urged against a projection 20 on a bar 21 pivoted at one end to the inner side of one of the sides of the base 10, and having its other end bent upwards as at 22 and passing thru the top of the base, and formed at its free extremity with an enlarged head 23. The lever 19 is urged against the projection 20 by reason of a spring 24 acting between the lever and the base. A stop 25 projects from the top of the base and limits the movement of the lever 19 under the influence of the spring 24 to a position indicated by the dot dash lines 26.

A second lever 29 is pivotally mounted as at 27 to the top side of the base, and is urged against a projection 30 on the same bar 21 by reason of a spring 34 acting between the lever and the top of the base. A stop 35 projects from the top of the base and limits the movement of the spring 34 to a position indicated by the dot dash lines 36.

A pair of pulleys 31, 32 are supported from the top of the base, and a flexible member 28 extends over these pulleys, and up thru the hollow chair 11, and figure 12, and over a pulley 33 mounted in the head of the figure. A point 34 on the flexible member is attached to the movable jaw 14 for opening and closing the jaw as the flexible member moves slightly. A point 35^a on the flexible member 28 is attached to the lever 29 for receiving motion from the lever.

A spring 37 acts between the bottom of the base 10, and the bar 21 for urging the bar upwards, so that the projections 20 and 30 engage their respective levers. The bottom of

the base is also formed with a door 38 thru which coins within the base may be removed. This door is provided with a lock 39.

A tubular member 40 is fastened on one side of the base, and a plunger 41 is mounted therein. The tubular member 40 has a side slot 42 engaged by a pin 43 projecting from the plunger. A spring 44 acts between the pin 43 and the top of the base for normally holding the plunger in retracted position. Flexible members 45 and 46 connected with the levers 29 and 19 respectively, and with the plunger 41 and are of such length so as to permit the levers to assume their dot dash positions 36 and 26.

In operation, the knob 23 is manually depressed for moving the bar 21 downwards against the action of spring 37. Projection 30 is somewhat shorter than projection 20 so that lever 29 is released slightly before lever 19. As lever 29 is released, spring 34 snaps the lever against the stop 35, and the flexible member 28 is moved for lowering the jaw 14 and thus opening the sitting figure's mouth. As lever 19 is released, spring 24 snaps the lever against the stop 25, and shaft 16 is partially turned for pivoting figure 15 so that the hand of the arm 17 thereof strikes the coin 18 and throws it into the mouth of figure 12 from where it then falls into the base 10. In this condition of the device the levers 19 and 29 are disposed over the projections 20 and 30 and hold the bar 21 down. The plunger 41 may be manually drawn out for pulling strings 45 and 46 so as to move the levers 19 and 29 back to their normal positions.

While I have shown and described the preferred embodiment of my invention, it is to be understood that I do not limit myself to the precise construction herein disclosed and the right is reserved to all changes and modifications coming within the scope of the invention as defined in the appended claims.

Having thus described my invention what I claim as new and desire to secure by United States Letters Patent is:

1. A device of the class described, comprising a toy bank arranged with a hollow base for receiving coins and with a hollow figure sitting on a hollow chair, said figure holding an instrument, and having a movable mouth for receiving coins which are conducted to said base through said hollow body, and with a second figure arranged for striking a coin placed on the top of the instrument for throwing the coin into the first figure's mouth.

2. A device of the class described, comprising a hollow base, a hollow chair with a hollow sitting figure mounted on the base, and a standing figure pivotally mounted on the base and arranged for striking a coin placed on the first figure for throwing the coin into the first figure's mouth.

3. A device of the class described, comprising a hollow base, a hollow chair with a hollow sitting figure mounted on the base, said sitting figure having a mouth thru which coins may enter and pass thru said figure and chair, and enter said hollow base and a standing figure pivotally mounted on the base and arranged for striking a coin placed on the first figure for throwing the coin into the first figure's mouth.

4. A device of the class described, comprising a hollow base, a hollow chair with a sitting figure mounted on the base, said sitting figure having a mouth thru which coins may enter and pass thru said figure and chair and enter said hollow base and a standing figure pivotally mounted on the base and arranged for repeatedly striking coins placed on the first figure for throwing the coins into the first figure's mouth.

In testimony whereof I have affixed my signature.

WILLIAM COLA.