

Sept. 20, 1932.

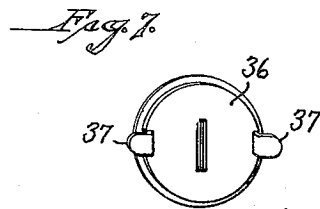
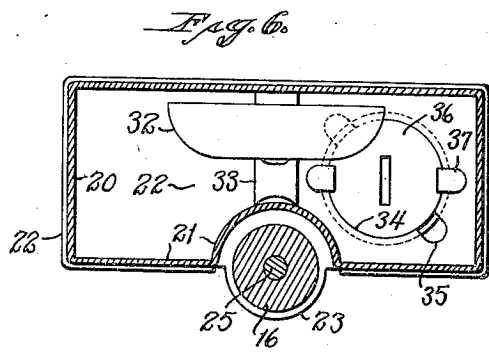
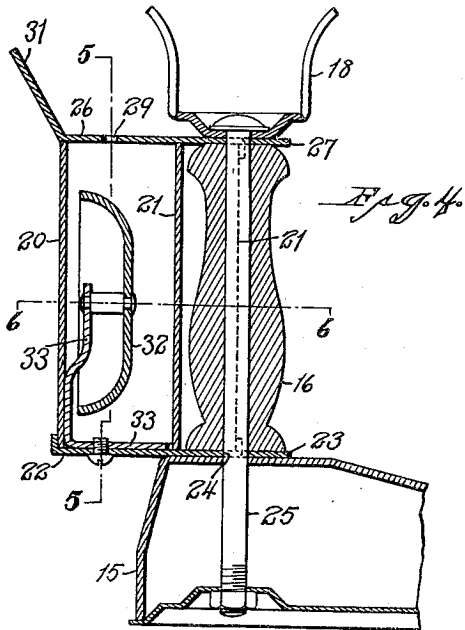
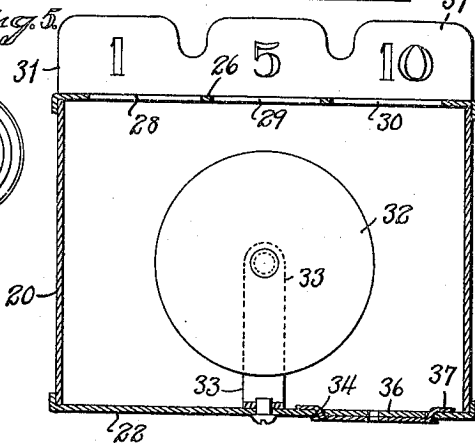
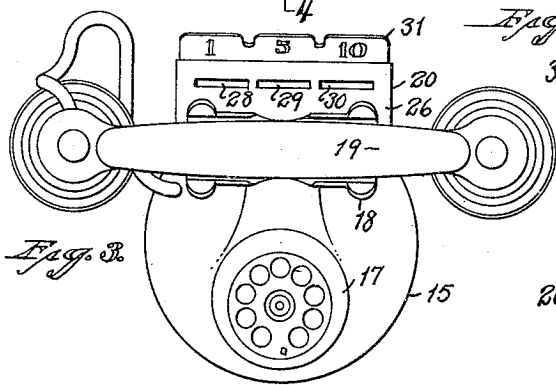
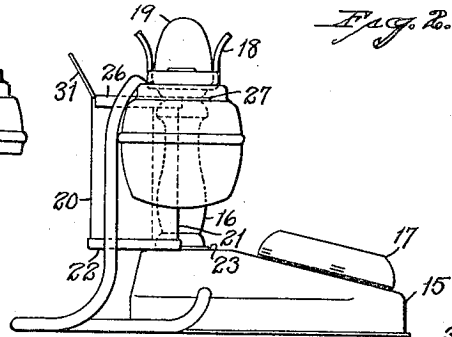
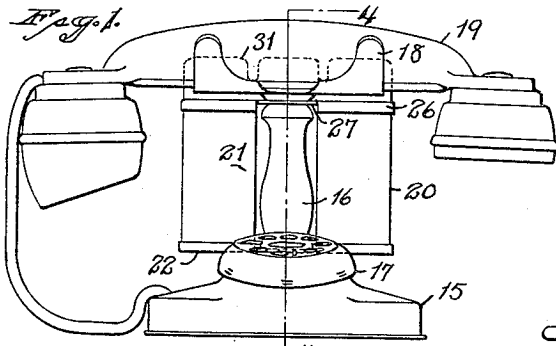
W. C. WOOD

1,878,615

TOY TELEPHONE

Filed Jan. 13, 1932

2 Sheets-Sheet 1



Inventor
William C. Wood
Seymour E. Carver & Nichols
Attys

Sept. 20, 1932.

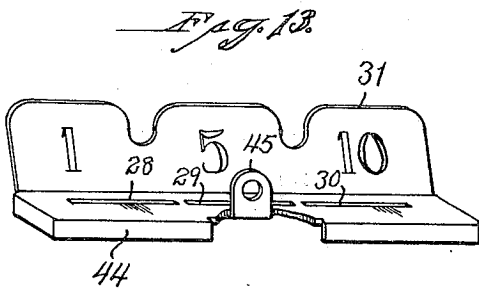
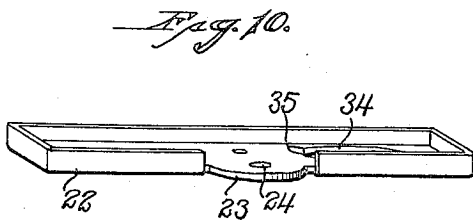
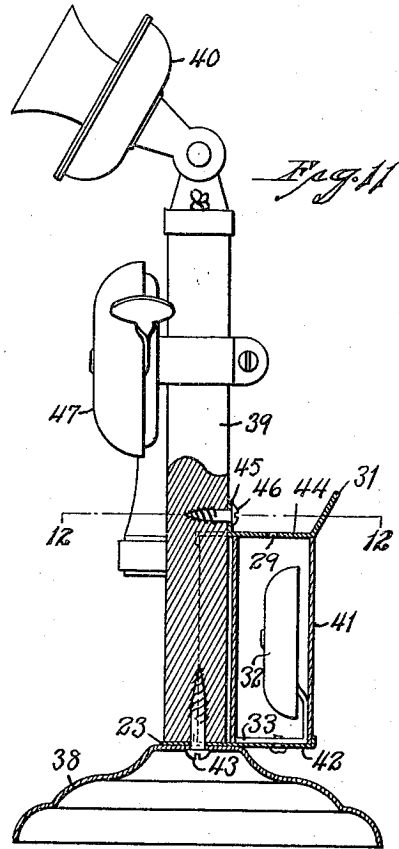
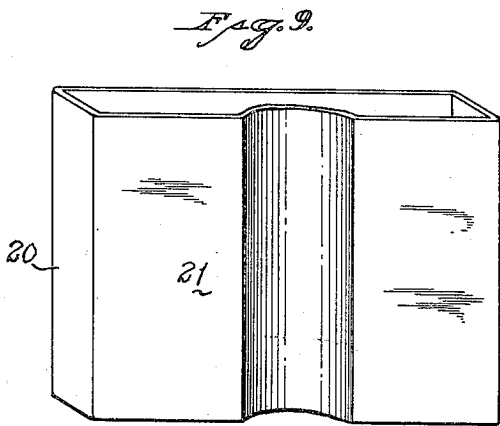
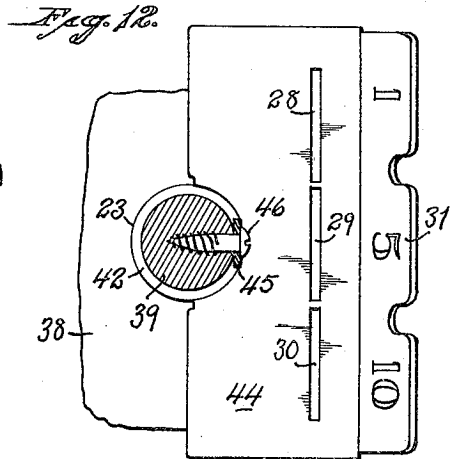
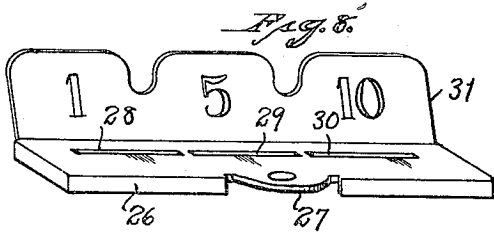
W. C. WOOD

1,878,615

TOY TELEPHONE

Filed Jan. 13, 1932

2 Sheets-Sheet 2



Inventor
William C. Wood
Seymour Ecker & Nichols
attys

UNITED STATES PATENT OFFICE

WILLIAM C. WOOD, OF EAST HAMPTON, CONNECTICUT, ASSIGNOR TO THE N. N. HILL BRASS COMPANY, OF EAST HAMPTON, CONNECTICUT, A CORPORATION

TOY TELEPHONE

Application filed January 13, 1932. Serial No. 586,327.

This invention relates to an improvement in toy telephones, the object to provide a toy telephone with a coin-box simulating a prepayment station, and the invention consists in the construction as hereinafter described and particularly recited in the claims.

In the accompanying drawings:

Fig. 1 is a front view of a toy telephone constructed in accordance with my invention;

Fig. 2 is a side view of the same;

Fig. 3 is a plan view of the same;

Fig. 4 is a sectional view on the line 4—4 of Fig. 1;

Fig. 5 is a sectional view on the line 5—5 of Fig. 4;

Fig. 6 is a sectional view on the line 6—6 of Fig. 4;

Fig. 7 is a perspective view of the closure for the discharge-opening;

Fig. 8 is a perspective view of the top of the box, detached;

Fig. 9 is a perspective view of the box, with the top and bottom detached;

Fig. 10 is a perspective view of the bottom of the box, detached;

Fig. 11 is a side view, partly broken away, of a modified form of toy telephone;

Fig. 12 is a sectional view on the line 12—12 of Fig. 11; and

Fig. 13 is a perspective view of the top of the box shown in Figs. 11 and 12, detached.

In carrying out my invention, I employ a base 15 of any approved design, here represented as of the continental type, with an eccentrically-mounted post 16 and a signaling device, including a bell 17.

At the top of the post is a yoke 18 for the support of a combined receiver and transmitter 19. A coin-box 20 has its front wall 21 inset vertically to partially clear the post. This box sets into a flanged bottom 22 formed in its forward edge with a forwardly-projecting lip 23 and this lip extends between the top of the base and the lower end of the post, and is provided with a hole 24, through which a bolt 25 passes, the bolt passing through the yoke, post and base for coupling the parts together.

A box-top 26 is adapted to set over the up-

per end of the box and is formed at its forward edge with a lip 27 extending between the top of the post and the yoke, and perforated for the clearance of the bolt 25, and so that when the parts are connected together, the box is firmly held between the top and bottom. This top is formed with coin-slots 28, 29 and 30, and the rear of the top 31 extends upward and on it may be indicated the denominations of coins to be used.

Within the box a gong-bell 32 is mounted on a bracket 33 and this gong is of such a size that a coin dropped in either of the slots in the top of the box will strike and sound the gong. The bottom of the box may be provided with an outlet-opening 34 with oppositely-arranged notches 35 to permit a closure 36 having tongues 37 to pass through the notches 35 and be rotated so that the tongues 37 will engage with the inner face of the base.

The combination of a telephone with a coin-box is adapted for use in toy telephones having a post with a receiver mounted at the top thereof. Thus, as shown in Figs. 11, 12 and 13 of the drawings, the toy telephone comprises a circular base 38, a centrally-arranged post 39 mounted thereon, and a transmitter 40, pivotally connected at the upper end of the post. With this construction, a coin-box 41, similar to the coin-box first described, is employed, the bottom 42 extending between the base and lower end of the post, which post is secured to the base by a screw 43 while the top 44 of the box is provided with an upwardly-extending finger 45 adapted to be secured to the post by a screw 46, whereby the box is firmly held between the top and bottom.

A bell 47 may be attached to the post above the coin-box, as in the usual construction of toy telephones of this type. A child in playing with the toy drops a coin or token through one of the slots and it rings the bell, simulating the sound produced in prepayment telephones, and the box not only adds to the attractiveness of the toy, but may also serve as a bank.

I claim:

1. A toy telephone comprising a base, a

post and a yoke, a coin-box having a bottom formed with a projection extending between the base and post, and a top having a projection extending between the post and yoke with means for uniting the said parts.

5 2. A toy telephone comprising a base, a post and a yoke, a coin-box having a bottom formed with a projection extending between the base and post, a top having a projection extending between the post and yoke with means for uniting the said parts, and the
10 bottom of the box formed with a discharge-opening and means for closing the same.

3. In a toy telephone, the combination
15 with a horizontally-arranged base, of a post rising therefrom, and a bank applied to the post and having its inner face vertically recessed to partially embrace the same.

In testimony whereof, I have signed this
20 specification.

WILLIAM C. WOOD.

25

30

35

40

45

50

55

60

65