

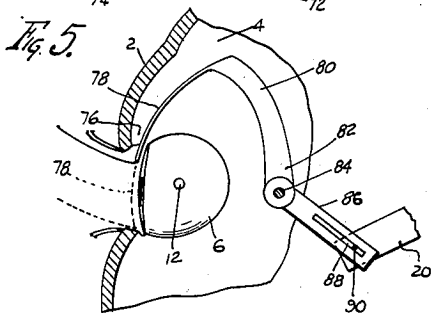
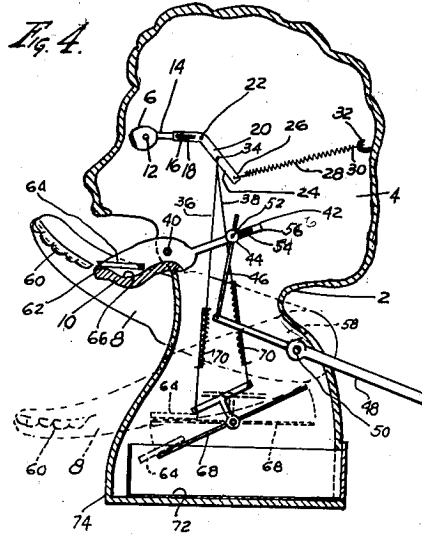
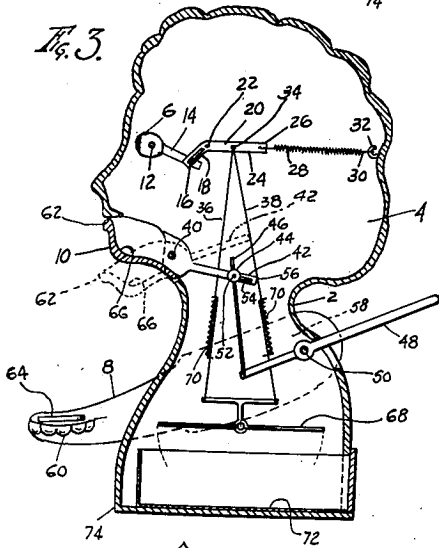
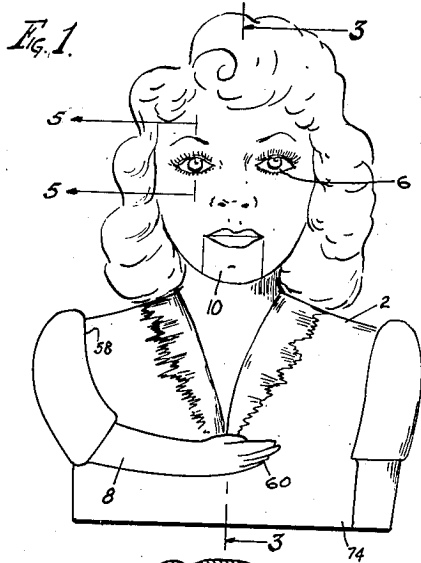
April 15, 1941.

A. M. CHETTLE

2,238,308

BANK DOLL AND THE LIKE

Filed Oct. 7, 1939



INVENTOR

Agnes M. Chettle

UNITED STATES PATENT OFFICE

2,238,308

BANK DOLL AND THE LIKE

Agnes M. Chettle, Long Beach, Calif.

Application October 7, 1939, Serial No. 298,500

3 Claims. (Cl. 46—3)

My invention relates to bank dolls and the like, and more particularly to such devices which are used for saving coins, tokens, or other valuables made out of metal, which may be stored and collected therein and after time be removable for further use.

Manifestly, an object of my invention is to provide a suitable receptacle which is enclosed within a container or housing formed into suitable container or bust or a statue resembling a human individual, which has a pair of movable eyes and eyelids, at least one movable hand upon which the coin may be placed and having the lower portion of the jaw so positioned and operable into an open and closed position whereby the said coin when lifted to the said lower jaws, will deposit same therein, and will allow said coin to drop into said container or receptacle.

Another object of my invention is to provide said invention in form of a bust or statue representing a human being, which is hollowed out in the center and provided with a face, having its lower jaw operable into an open and closed position, also having at least one arm operable and movable upwardly and downwardly, and in addition having the eyes and/or the eyelids movable for resembling the opening and closing of said eyes, and having a suitable mechanical means interiorly positioned therein for actuating said eyes and eyelids including the arm and the said lower jaw causing same to be operable in conjunction, one with the other, so as to provide a life-like effect upon the user and observer.

Other and further objects and advantages of my invention as will hereinafter more fully appear, I attain by the construction herein described in the specification and shown in the drawing, which illustrates the preferred embodiment of the invention.

Reference is had to the accompanying drawing in which the similar reference characters denote the similar parts.

In the drawing:

Fig. 1 is the front elevational view of the bank doll, showing the movable hand in position.

Fig. 2 is the side elevational view of the bank doll, taken from the right of the Fig. 1.

Fig. 3 is the vertical cross-sectional view of the bank doll, taken through the center of the Fig. 1, on line 3—3, showing the working parts of the mechanism positioned therein.

Fig. 4 is another vertical cross-sectional view of the bank doll, similar to Fig. 3, showing the position of the arm and the lower jaw of said doll.

Fig. 5 is the enlarged cross-sectional view of the top portion of the doll's head, showing the eye in position and showing the movable eyelid in place, same being shown in modified form.

Describing my invention more in detail said invention comprises a housing 2, representing a bust of a figure, which has a hollow section in the center as at 4 having a head and eyes 6, at least one movable hand and arm 8 and a movable jaw 10.

Said eyes 6 are pivotally disposed within the head of said hollow section 4, upon a sidewardly extending rod 12 which is provided with an extension 14, having a pin member 16 positioned therein, as shown, see Figs. 3 and 4, which is adapted to engage the slot 18 of the regulating lever 20.

The lever 20, in close proximity to said slot 18 is hinged upon a pin member 22, having a rearwardly extending member 24 the end 26 of which is connected to a suitable control spring member 28 having its extended end 30 attached to a hook 32 as shown, while the mid-section of said extending member 24 is provided with a hole 34 to which the compensating rods 36 and 38 are connected, the purpose and the operation of which will be presently described.

The said jaw 10 is hingedly attached and held in place upon a hinge pin member 40, also having a jaw extension member 42 disposed internally in said hollow section 4 and positioned as shown, see Figs. 3 and 4, which is provided with a collar 44 adapted to receive and hold the control lever 46 in place, of which one end is attached to the internally extended end of the regulating lever 48 which is hingedly disposed upon a cross pin member 50, then in order to provide a uniform movement of the said jaw 10 with the said regulating lever 48, the said collar 44 is provided with a collar pin 52 adapted to slidably engage the clearance slot 54 at the end 56 of the said jaw extension member 42, so that in actuating said regulating lever 48 said control lever 46 will adjust itself into place while moving said jaw 10 into an open or closed position.

The arm 8 is pivotally mounted at the outside section of said housing 2, upon the end of the said cross pin member 50 and within the arm socket 58, so that the movement of the said arm 8 and the said lower jaw 10 may be relatively controlled, their respective positions being so arranged whereby the position of the hand 60 will come directly in place and slightly above

the lip section 62 when the hand 60 is up and the jaw 10 is down, as shown in Fig. 4.

It may be noted, that when a coin 64, or other suitable objects such as token or the like is placed upon the palms of the hand 60, it is lifted upwardly toward the mouth and directly in line when the jaw 10 is lowered by the correlative action of the mechanism hereinbefore described, so that when the said coin 64 is allowed to slide into the jaw cavity 66 it will remain there until said lever 48 is released which is actuated into its original position by the downward movement of the said arm 8, because of its weight and at the same time allowing the jaw 10 to assume its original position which will permit said coin 64 to slide inwardly and into the hollow section 4.

Said coin 64 dropping therein will invariably rest upon the pivoting plate 68 which is held in position by means of the said compensating rods 36 and 38, having a suitable spring 70 associated therewith for equalizing their lengths when the said pivoting plate 68 is tilted, so that in its action it will pull the lever 20, see Fig. 4, causing the eyes 6 to move downwardly, the coin 64 then sliding into the receptacle 72 which is positioned at the base 74 of the housing 2, and which may, if so desired, be locked in place in any manner most adaptable and convenient.

In the Fig. 5, the modification shows, that the eyes 6 may be held stationary allowing the eye orbits to have sufficient clearance or space 76 wherein the eyelids 78 are positioned, and held in place by means of the extension member 80 attached to the lever 82. Said lever 82 is pivoted upon a pivot pin 84 having a regulating lever 86 attached, as shown and provided with a slot 88 which engages the suitable pin 90 of the regulating lever 20.

In this manner the coin actuated pivoting plate 68 will cause a similar action of the mechanism as previously described, which will allow the eyelids 78 to move downwardly same as the eyes be closed in a natural form and manner.

While I have thus described my invention with great particularity, it will be clear, that the same may be modified throughout a wide range.

I accordingly do not propose to be limited to the exact details of construction herein shown on the drawing and described in the specification, but reserve the rights in practice to make the modification and changes therein which may come within the scope of the appended claims.

I claim as my invention:

1. In a doll bank of the class described, a housing having a hollowed center section, a head formed at the top section of said housing and a receptacle at the bottom section thereof, a pair of eye orifices disposed at the front section of said head, a pair of eyes mounted within said hollow section of said head and disposed in close proximity to said eye orifices, a pair of eyelids pivotally mounted in-between said eye orifices and positioned over the said eyes, an eyelid controlling rod means connected to said eyelids for controlling their pivoting movement, pivoting plate means pivotally mounted at the bottom of said housing for pivoting and actuating the said controlling means of said eyelids, the combination of, a bended arm pivotally connected to the side of said housing having its palm positioned in front, a regulating lever connected to said arm for controlling and regulating the position of said palm, a pivoted lower jaw positioned below the

said eyes and said pivoted eyelids, and control lever connecting said pivoted lower jaw and said regulating lever for lifting the said arm including the palm toward the said lower jaw and for simultaneously lowering said jaw into an open position so that the coin deposited upon said palm may be lifted to and be deposited within said open jaw, and for closing the said coin to drop upon said pivoting plate means when said lower jaw is pivoted into its uppermost position and thereby pivoting said plate means and actuating the movement of said eyelids.

2. In combination with a doll bank of the class described, a housing having a hollowed center section, a head formed at the upper section and a receptacle at the bottom section of said housing, a pair of eye orifices disposed at the front section of said head, a pair of eyes pivotally mounted within said hollow section of said head and disposed in close proximity to said eye orifices, eyes regulating member connected to said pivotally mounted eyes for regulating their pivoting movement, a control spring member connected to said regulating member for controlling the position of said eyes in said eye orifices, a plate means pivotally mounted within and at the bottom section of said housing, a pair of compensating rod means connected to said pivotally mounted plate means and said eyes' regulating member for pivoting said eyes when a coin is dropped upon said plate means, a pivoted lower jaw mounted beneath the said pivoted eyes and at the lower section of said head, an arm pivotally attached to the outside section of said housing having the palm member extending in front thereof for receiving the coin thereon, and a regulating lever member connecting said pivoted arm and said pivoted lower jaw for regulating their respective positions, so that the said coin when lifted toward the said open lower jaw may be deposited therein and when dropped upon said pivoting plate means will cause the eyes to pivot, substantially as described.

3. In a bank doll of the class described, a hollow housing, a head formed at the top section of said housing having a pair of eye orifices disposed therein, a pivoted lower jaw member positioned at the lower section of said head, a pair of eyes pivotally disposed within said hollow housing and in close proximity to said eye orifices having an extension member extending internally of said housing, a regulating lever member pivotally positioned in said housing and connecting said extension member of said pair of eyes having its other end extending rearwardly therefrom, a control spring member connecting said rearwardly extending end of said regulating lever member for controlling the position of said pair of eyes within said eye orifices, a pair of compensating rods connecting the rearwardly extending regulating member for regulating the position of said eyes extension member, a pivoting plate means pivotally mounted at the bottom of said housing and connected to said compensating rods for pivoting said regulating lever of said eyes when said pivoting plate means is tilted when a coin is deposited thereon, and a receptacle member disposed at the bottom of said housing and beneath said pivoting plate means for collecting said coins therein and when dropped through the opening made by said pivoted lower jaw of said doll, substantially as described.