

March 27, 1945.

J. A. MUNROE

2,372,388

TOY BANK

Filed June 7, 1944

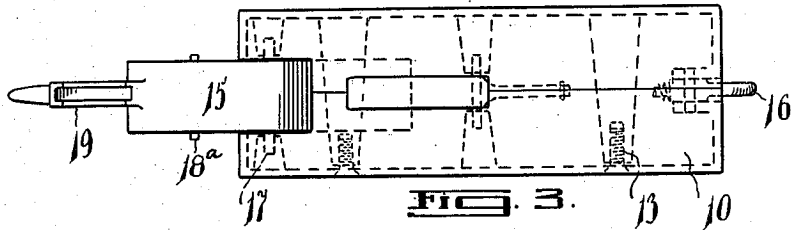


FIG. 3.

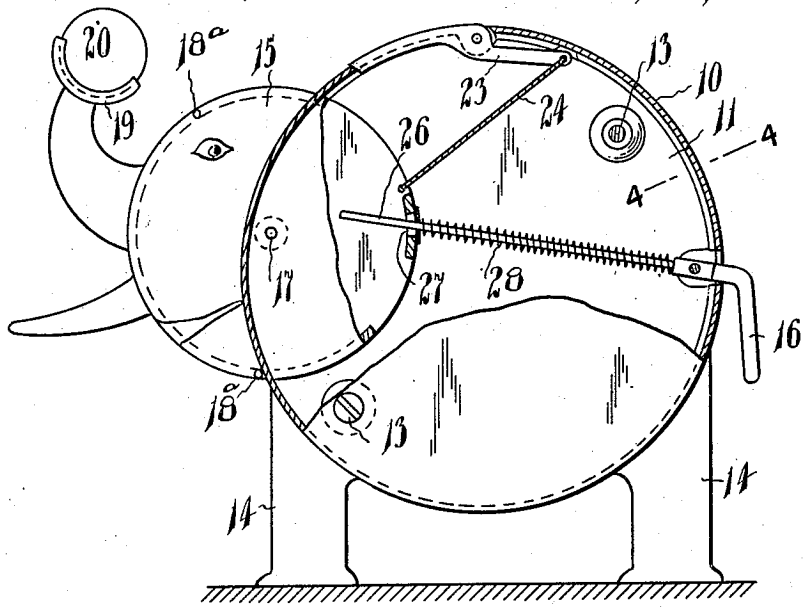


FIG. 1.

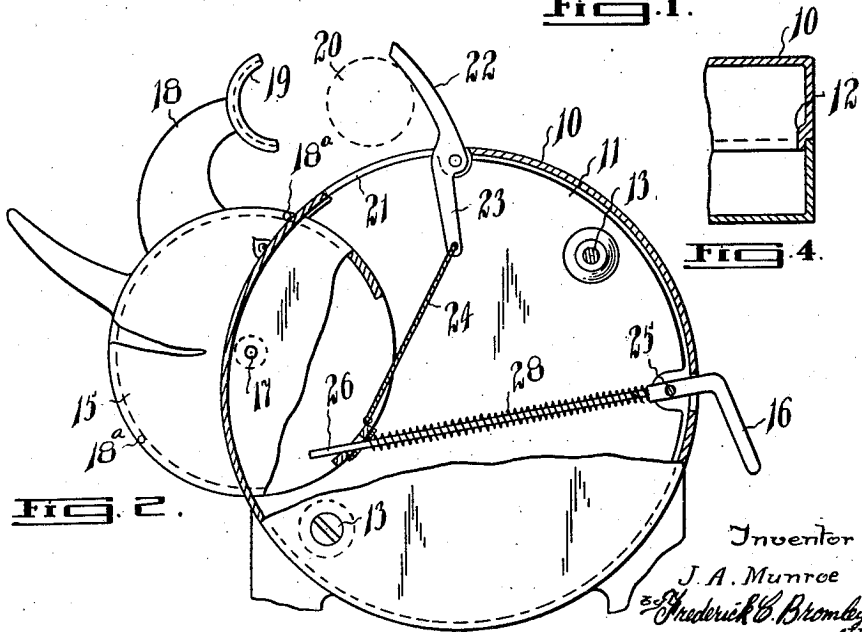


FIG. 2.

FIG. 4.

Inventor

J. A. Munroe

Frederick C. Bromley
ATTORNEY

UNITED STATES PATENT OFFICE

2,372,388

TOY BANK

John A. Munroe, Toronto, Ontario, Canada

Application June 7, 1944, Serial No. 539,079

6 Claims. (Cl. 46-4)

My invention relates to improvements in toy banks for saving coins or like tokens made of metal, which may be accumulated therein and removed whenever desired.

The invention comprehends a receptacle formed in a housing preferably in the configuration of the body of a grotesque elephant whose head is pivoted and fashioned with a trunk for holding a coin. The head is connected to a mechanical device for tossing the coin backwardly through an aperture into the body. A distinctive feature of construction is that the aperture is provided with a closure which is automatically opened as the coin is tossed, and a further salient feature is that the mechanical device for operation of the head is arranged for operation by movement of the tail of the animal and is such as to impart a flicking movement to the head.

The invention provides an interesting and amusing penny bank which by virtue of its novel characteristics of construction and operation encourages a child to save money.

The invention is illustrated in the accompanying drawing.

In the drawing,

Fig. 1 is a side elevation of the bank showing parts broken away to more clearly depict the interior construction.

Fig. 2 is a similar view, but showing the manner of tossing a coin into the receptacle.

Fig. 3 is a plan view of Fig. 1.

Fig. 4 is a sectional detail of the body taken on line 4-4 of Fig. 1.

Like numerals of reference indicate corresponding parts in each of the figures throughout the drawing.

In carrying out the invention, I provide a statuette preferably in the form of a grotesque elephant, the body 10 of which is hollow and provides a receptacle 11 for coins or objects of value which may be deposited therein from time to time. The body is a cylindrical housing or case formed in two parts for convenience in manufacture and assembly. The parts are similar halves having a peripheral junction provided with a flange 12 or other common means by which they are held in registration as will be well understood in the art. Said halves or parts are furnished with ordinary means, indicated at 13, for detachably securing them in assembly. Legs 14 support the body, the head of which is denoted at 15 and the tail at 16.

The head is desirably a chambered cylindrical member extending into the receptacle 11 by means of an aperture provided in the body. The

head has a central pivotal axis 17 by which it is free to turn vertically, the movement being constrained by stops 18a to an up and down motion such as to produce the effect of the animal tossing its head. The trunk 18 is upturned and has its end constructed with a device 19 suited to seat a coin 20 edgewise. The arrangement is such that an upward flick of the head will toss the coin backward so that it may fall or be guided into a slot 21 in the top of the body 10 for deposit in the receptacle.

The slot 21 is normally closed by a lid 22 rearwardly hinged and having a limited opening movement. The lid has an arm 23 within the receptacle aforesaid and connected as by a flexible element 24 or the like, with the head at a suitable point remote of its axis such that an opening movement will be imparted to the lid by upward movement of said head. The lid is self closing.

The head is connected by a mechanical device to the tail so that when the latter is raised a flicking action will be imparted to the head. The tail is pivoted at 25 for this purpose and operates in an aperture. The mechanical device consists of a bar 26 extending forwardly from the tail and having its distal end loosely engaged in a hole 27 in the rear part of the head. A coil spring 28 is sleeved on the bar and shoulder at the proximal end thereof. The spring is also shouldered against the head and held under light compressive stress so as to exert a turning force on the head.

It will be manifest that by this construction the rear portion of the head forms a toggle joint with the bar, and in normal position the bar is disposed above dead centre thereof, as in Fig. 1. The bar is urged downwardly by raising the tail and on passing dead centre the spring imparts an upward flick to the head so as to toss the coin into the receptacle. A return movement of the tail causes the lowering of the head. The advantage of this construction is that it obviates the personal equation in flicking the head and assures that it will be motivated by a uniform force suitable for tossing the coin with the force required to enter the slot.

Such changes and variations of the invention may be resorted to as come with the scope of the ensuing claims.

What I claim is:

1. A toy bank comprising a case representing an animal with a body, a head and a tail, the body having a coin-receiving slot communicating with a receptacle, the head and the tail being

pivoted, a device on the head for holding a coin forwardly of the pivotal axis thereof, and a spring urged device by which movement of the tail is utilized for flicking the head upwardly about its pivotal axis to toss the coin into said slot.

2. A toy bank comprising a case representing an animal with a body, a head and a tail, the body having a coin-receiving slot communicating with a receptacle, the head and the tail being pivoted, a device on the head for holding a coin forwardly of the pivotal axis thereof, and a spring-urged device having a toggle-joint action by which the head is flicked upwardly about its pivotal axis to toss the coin into said slot when the tail is moved manually.

3. A toy bank comprising a case representing an animal with a body, a head and a tail, the body having a coin-receiving slot communicating with a receptacle, the head and the tail being pivoted, a device on the head for holding a coin forwardly of the pivotal axis thereof, a bar forwardly extending from the tail and having its distal end loosely engaged in a hole in the rear portion of the head, and a spring mounted for applying pressure on the head and being shiftable through a dead centre position by movement of said bar in a manner to cause the head to be flicked upwardly for tossing the coin into said slot.

4. A structure as defined in claim 1 in which

the coin-receiving slot has a pivoted closure provided with a mechanical connection for opening it concurrently with upward movement of the head.

5. A figure money bank representing an elephant and comprising a hollow body providing a coin receptacle and having a slot in its back for receiving coins, a cylindrical head fitted loosely in an aperture in said body and pivotally supported for vertical movement, stop means for limiting the head to an up and down angular movement, a device carried by the trunk of the head for edgewise seating a coin, a tail pivoted in a slot in the body, a bar in said body extending forwardly from the tail and engaged loosely in a hole provided in the rear portion of the head and forming therewith a toggle-joint whose linkage is above dead centre when the head is in normal position and a coil-spring sleeved on said bar and shoulder to apply pressure on the head in the general direction of its pivotal axis so that when the bar is swung downwardly past a dead centre position the head will be flicked upwardly to toss the coin in the slot aforesaid.

6. A structure as claimed in claim 5, in which the said slot has a lid rearwardly pivoted and provided with an arm connected to the head by a flexible element for raising it to a position for guiding the coin into the slot.

JOHN A. MUNROE.