

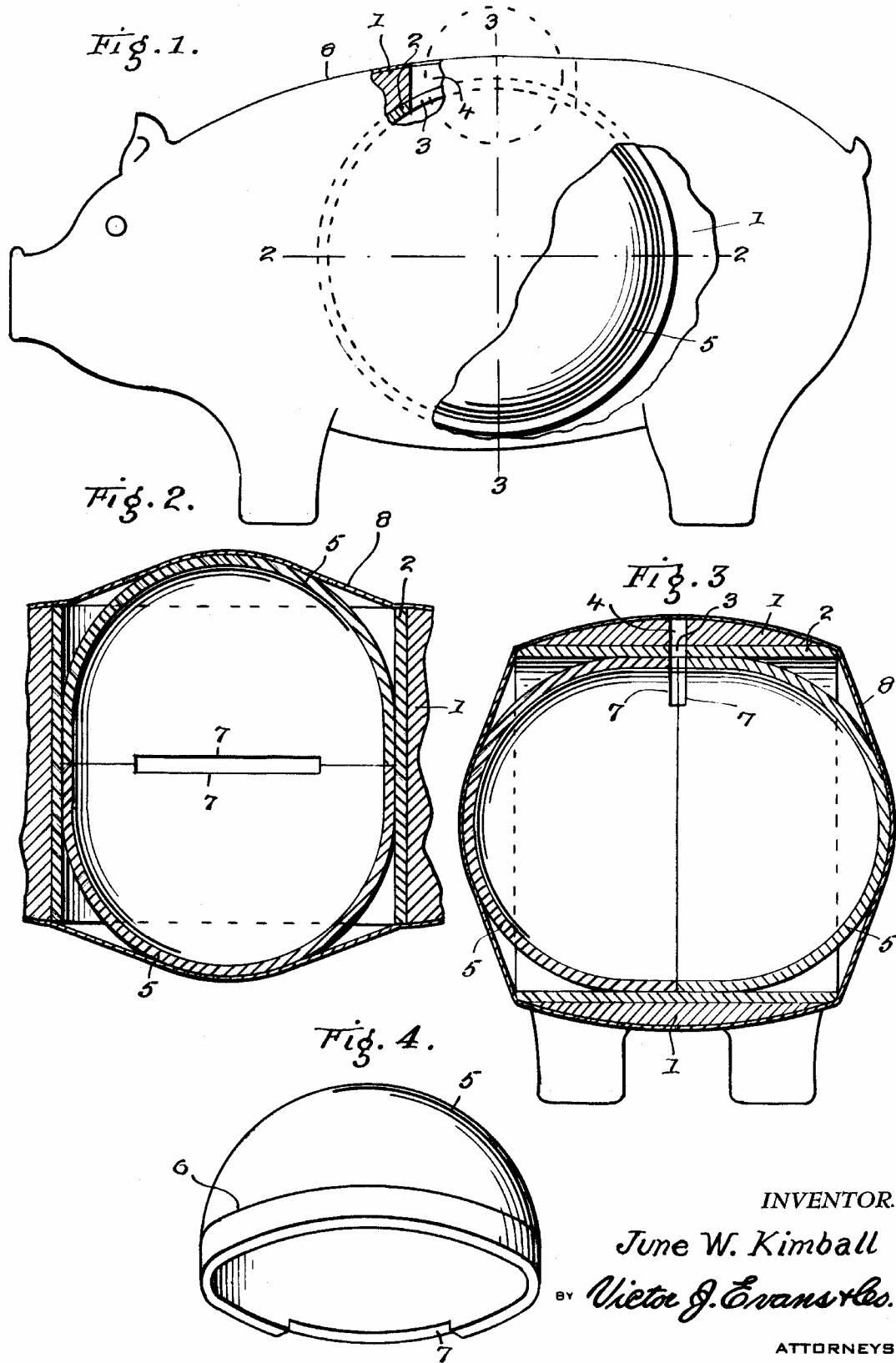
Sept. 7, 1948.

J. W. KIMBALL

2,448,807

FATTEN-THE-PIG SAVINGS BANK

Filed Oct. 18, 1946



INVENTOR.

June W. Kimball

BY Victor J. Evans & Co.

ATTORNEYS

UNITED STATES PATENT OFFICE

2,448,807

FATTEN-THE-PIG SAVINGS BANK

June W. Kimball, Athens, Ohio

Application October 18, 1946, Serial No. 703,962

4 Claims. (Cl. 46—2)

1

This invention relates to improvements in home savings banks of the type known as "piggy" banks, which are used for saving coins.

It is an object of the invention to provide a savings bank which is a source of amusement as well as an inducement to save coins.

In accordance with the invention, a bank in the shape of an animal, such as a pig, is caused to expand as the number of coins in the bank is increased. In a desire to see the animal expand, a saver is induced to frequently deposit coins.

A further object is to provide a simple and inexpensive savings bank having novel ornamental features as well as features of utility to induce savings.

These and other objects are attained by the novel construction and arrangement of parts hereinafter described and illustrated by the accompanying drawings, forming a part hereof, and in which:

Figure 1 is a side view of a savings bank embodying the invention;

Figure 2 is a sectional view taken on the line 2—2 of Figure 1;

Figure 3 is a sectional view taken on the line 3—3 of Figure 1;

Figure 4 is a perspective view of an element used in the device.

In accordance with the invention, a "piggy" bank or bank of other shape 1, has a circular hole cut transversely through the sides thereof, and in the circular hole is positioned a cylinder 2, which extends from one side of the bank to the other side. The cylinder 2 has a slot 3 in the upper side thereof, communicating with a slot 4 in the body 1, and positioned in the ends of the cylinder 2 are hollow hemispheres 5 made of a hard material, such as a plastic or metal. Each of the hemispheres 5 has a border 6 at its free edge, each border carries one-half of a slot 7, so that when the two hemispheres 5 are positioned in the cylinder 2, they combine to form a slot which coincides with the slot in the cylinder and body.

The back of the animal or other object as stated has a coin slot which coincides with the slots formed by the hemispheres and in the cylinder.

The unit can be used in any shape of animal used for a bank, provided the sides have a circular opening which allows the unit to expand as it fills.

The entire bank in the shape of an animal is covered with a loosely knit material or rubber sheet 8 glued to the surface except over the opening 4, and the sheet 8 stretches as the hemispheres move outwardly as the bank fills. The cylinder 2 will prevent expansion of the hemispheres so that they must move outwardly as the coins are placed therein. The expansion gives the effect of "fattening" the piggy bank.

2

If the bank is in the form of an animal on its haunches, only one hemisphere is used, and only one opening is made in the stomach of the animal bank.

It will be seen that there has been provided a simple and effective bank for inducing the saving of coins, at the same time providing a source of amusement.

The above description is to be regarded as illustrative and not limitative of the invention, of which modifications can be made without departing from the spirit and scope of the invention as set forth in the appended claims.

The invention having been described, what is claimed is:

1. In a savings bank in the form of an animal with a circular hole initially open at opposite sides thereof, a coin slot in said bank, a cylinder in said hole, a slot in said cylinder in alignment with the slot in said bank, a pair of hemispheres positioned in said cylinder, half slots in said hemispheres to form a slot coinciding with the slot in the cylinder, and a covering of flexible cloth for the animal, adapted to cover said holes in the sides and to be expanded by said hemispheres when a number of coins are placed in said bank.

2. In a savings bank having sides in which are formed circular holes, a cylinder in said bank within said holes, a slot in said bank, a slot in said cylinder in alignment with the slot in said bank, hemispheres in the cylinder, said hemispheres having half slots to form a slot coinciding with the slot in the cylinder when the hemispheres are abutting each other and a flexible covering for the bank engaging said hemispheres to retain them in said cylinder.

3. In a savings bank, sides having circular holes therein, said bank having a slot through which coins can pass, hemispheres passing through said holes, said hemispheres having half slots coinciding with the slot in the bank when the hemispheres are moved together and a flexible covering for the bank engaging said hemispheres to retain said hemispheres in the holes in the sides of the bank.

4. In a savings bank having the shape of an animal with a circular hole initially open at opposite sides thereof, a cylinder having a slot therein, a pair of hemispheres in the cylinder and having a slot coinciding with the slot in the cylinder when the hemispheres are together, and a sheet of rubber or similar flexible material covering the bank adapted to cover said hole in the sides and to be expanded by said hemispheres when a number of coins are placed in said bank.

JUNE W. KIMBALL.