

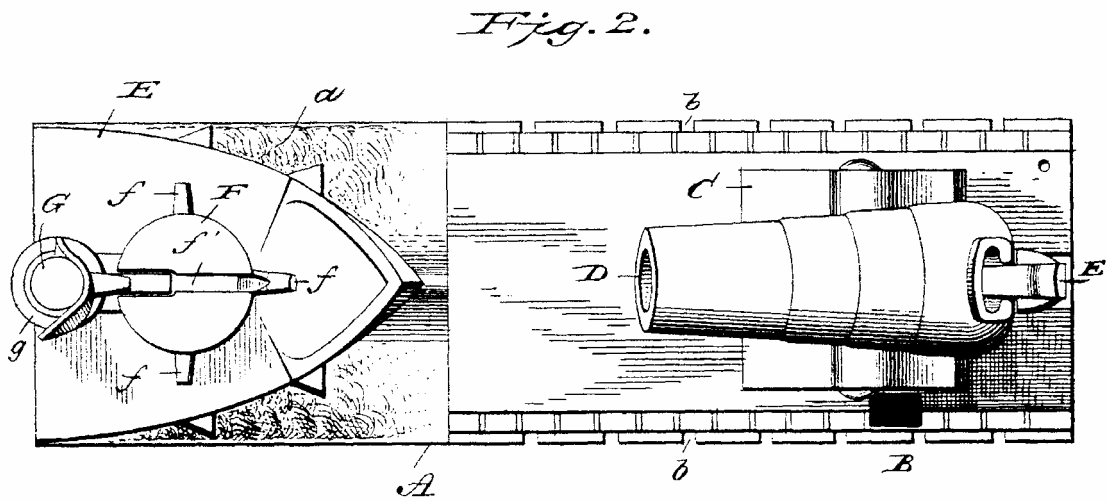
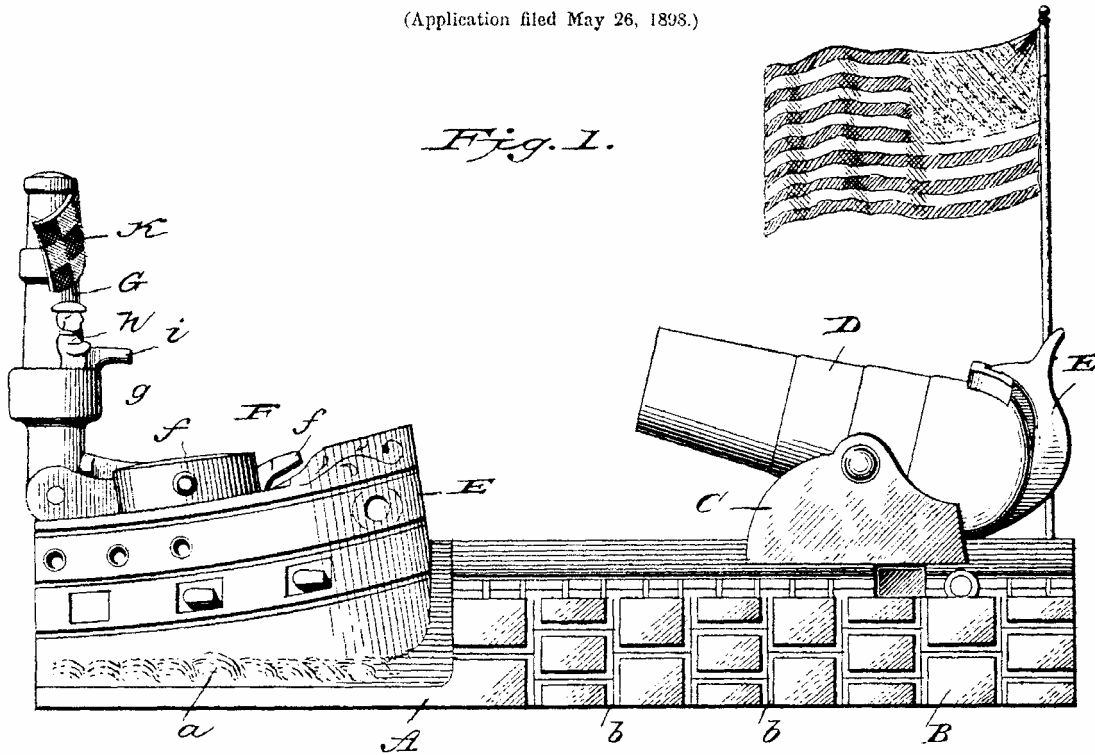
DESIGN.

No. 29,049.

Patented July 12, 1898.

C. A. BAILEY,
TOY BANK.

(Application filed May 26, 1898.)



WITNESSES
L. S. Elliott.
R. J. Beale Jr.

INVENTOR:
Charles A. Bailey,
John D. Thomas & Co.,
Attorneys.

UNITED STATES PATENT OFFICE.

CHARLES A. BAILEY, OF CROMWELL, CONNECTICUT, ASSIGNOR TO THE
J. & E. STEVENS COMPANY, OF SAME PLACE.

DESIGN FOR A TOY BANK.

SPECIFICATION forming part of Design No. 29,049, dated July 12, 1898.

Application filed May 26, 1898. Serial No. 681,844. Term of patent 3½ years.

To all whom it may concern:

Be it known that I, CHARLES A. BAILEY, a citizen of the United States of America, residing at Cromwell, in the county of Middlesex and State of Connecticut, have invented and produced a new and original Design for a Toy Bank; and I do hereby declare the following to be a full, clear, and exact description of the same, reference being had to the accompanying drawings, forming a part thereof.

The object of my invention is to produce a design for a toy bank which provides the required receptacle for money or coin and by its peculiar shape and configuration will not only be useful as a bank, but also present a pleasing ornamental toy.

In the accompanying drawings, which illustrate my design, Figure 1 is a side elevation of the bank, and Fig. 2 is a plan view thereof.

The leading or material features of my design are characterized by a flat base upon one end of which is arranged a miniature fort, a carriage and cannon mounted on said fort, in connection with the bow-section of a battle-ship on the opposite end of the flat base and comprising a military mast and turret with projecting muzzles of cannon, the upper surface of the base surrounding the bow-section being in imitation of water.

Referring now more particularly to the drawings, A designates the flat base, the upper surface *a* of which is rough in imitation of water.

B designates the fort, the side walls of which are provided with grooves *b* to form imitations of stones. 35

C designates curved pieces representing a gun-carriage.

D designates a cannon positioned within the carriage, and E designates a trigger of the usual shape and forming the rear end of the said cannon. 40

Adjoining the fort is a box E of the configuration of the bow-section of a battle-ship with a round turret F, having projecting portions *f*, representing gun-muzzles, and a military mast G with a crow's nest *g*, figures of men, (designated by the letter *h*,) and projection or gun *i*, a curved plate K, representing a signal-flag, extending across the upper part of the mast, while the top of the turret has a slot *f'*, through which coins are passed into the box. 45 50

The several parts constituting my design are of the particular configuration herein shown and are assembled with respect to each other to form a toy bank of ornamental design. 55

I claim—

The design for a toy bank, substantially as herein shown and described. 60

In testimony whereof I affix my signature in presence of two witnesses.

CHAS. A. BAILEY.

Witnesses:

WILLIAM S. STICKNEY,
CHRISTINE L. STICKNEY.